

ZT68J Parts Manual

ZOOMLION INTELLIGENT ACCESS MACHINERY CO.,LTD.

Add:Tengfei Road 997 , Wangcheng District, Changsha, Hunan,PRC

Zip Code:410200

E-mail:awm@zoomlion.com

Tel:400-800-0157



ZOOMLION

ZOOMLION

ZT68J
Parts Manual

Dec 2020 Version A

Foreword

Zoomlion appreciates your choice of our machine for your application. The Parts Manual must be read and understood in its entirety before operating the machine.

This manual introduces you the components and significant technical specs of telescopic boom lifts in detail for working efficiency improving. Keep this manual properly at all times for looking up.

Do not attempt to maintain and repair the product without carefully reading and understanding the contents of this manual. If you have any questions or concerns, please call your local service engineer and we will provide you with timely and effective technical support. Zoomlion AWP Machinery Company does not take the consequence of wrong operation.

This manual should be considered a permanent part of your machine and should remain with the machine at all times.

The content is under intellectual property protection, permission is required for a copy or other application.

There might be some tiny differences in details between your machine and the upgraded one due to the continuous improving. For clarification, questions, or additional information regarding any portions of this manual, contact Zoomlion AWP Machinery.

Our company reserves the right to modify this manual as technical improvement without notice.

Thank you for your trust and support for Zoomlion products!

Zoomlion Intelligent Access Machinery Co.,Ltd.

Contents

Foreword.....	I
Content.....	II
SECTION 1 WORK PLATFORM	1-1
Work Platform 0077110010000000	1-1
Platform Assembly 0077160010020000	1-3
Tray Assembly 0077160010040000.....	1-5
SECTION 2 BOOM.....	2-1
Jib 0077110021000000	2-1
Boom Assembly 0077110031000000	2-5
Cable Chain System 0077140070000000	2-17
Cable Chain System 0077110072000000	2-19
Linkage 0077110061000000.....	2-21
SECTION 3 TURNTABLE	3-1
Turntable Assembly 0077110080000000 (Perkins)	3-1
Turntable Assembly 0077110081000000 (Deutz)	3-5
Slewing Mechanism 0077110090000000	3-9
Counterweight 0077110100000000	3-11
Hood 0077110110000000	3-13
SECTION 4 CHASSIS	4-1
Chassis assembly 0077110281000000.....	4-1
SECTION 5 POWER SYSTEM.....	5-1
Exhaust System 0077110711100000 (Deutz)	5-1
Exhaust System 0077110712100000 (Perkins)	5-3
Intake System0077340712800000 (Deutz)	5-5
Intake System0077110712800000 (Perkins)	5-7
Cooling System0077110711060000 (Deutz)	5-9
Cooling System0077110712060000 (Perkins)	5-11
Fuel System0077110711040000 (Deutz)	5-15
Fuel System0077110712040000 (Perkins)	5-17

Contents

Engine00771107110200000 (Deutz)	5-19
Engine00771107120200000 (Perkins)	5-21
SECTION 6 HYDRAULIC SYSTEM.....	6-1
Frame Hydraulic Components Mounting (front motor) 00771105200600000	6-1
Frame Hydraulic Components Mounting (rear motor) 00771105200600000.....	6-3
Frame Hydraulic Components Mounting (return oil block) 00771105200600000.....	6-5
Frame Hydraulic Components Mounting (travel diverter valve) 00771105200600000	6-7
Frame Hydraulic Components Mounting (steering cylinder) 00771105200600000.....	6-9
Frame Hydraulic Components Mounting (float cylinder) 00771105200600000	6-11
Frame Hydraulic Components Mounting (pump) 00771105200800000	6-13
Frame Hydraulic Components Mounting (oil supply filter) 00771105200800000.....	6-15
Frame Hydraulic Components Mounting (high pressure filter) 00771105200800000	6-17
Frame Hydraulic Components Mounting (auxiliary pump) 00771105200800000.....	6-19
Frame Hydraulic Components Mounting (main valve) 00771105200800000.....	6-21
Frame Hydraulic Components Mounting (travel control valve) 00771105200800000	6-23
Frame Hydraulic Components Mounting (jib valve) 00771105201000000	6-25
Frame Hydraulic Components Mounting (rotary actuator) 00771105201000000.....	6-27
Center Swivel Joint Installation 00771105201200000	6-29
Balance Valve Mounting (lifting balance valve) 00771105201400000	6-31
Balance Valve Mounting (telescopic balance valve) 00771105201400000.....	6-33
Balance Valve Mounting (Slewing balance) 00771105201400000	6-35
Balance Valve Mounting (jib balance) 00771105201400000	6-37
Balance Valve Mounting (leveling balance) 00771105201400000.....	6-39
Hydraulic Tank 00771105201600000	6-41
SECTION 7 ELECTRICAL SYSTEM.....	7-1
Turntable Cables 00771106210410000 (Perkins)	7-1
Turntable Cables 00771106210410000 (Deutz D435)	7-3
ECU Cables 00771106210420000 (Perkins)	7-5
ECU Cables 00771106210420000 (Deutz D435)	7-7
Boom Cables 00771106200430000	7-9
Platform Cables 00771106200440000/Cables Restructuring 00771106200610000.....	7-11
Power Line 00771106210450000 (Perkins)	7-13
Power Line 00771106200450000 (Deutz D435)	7-15

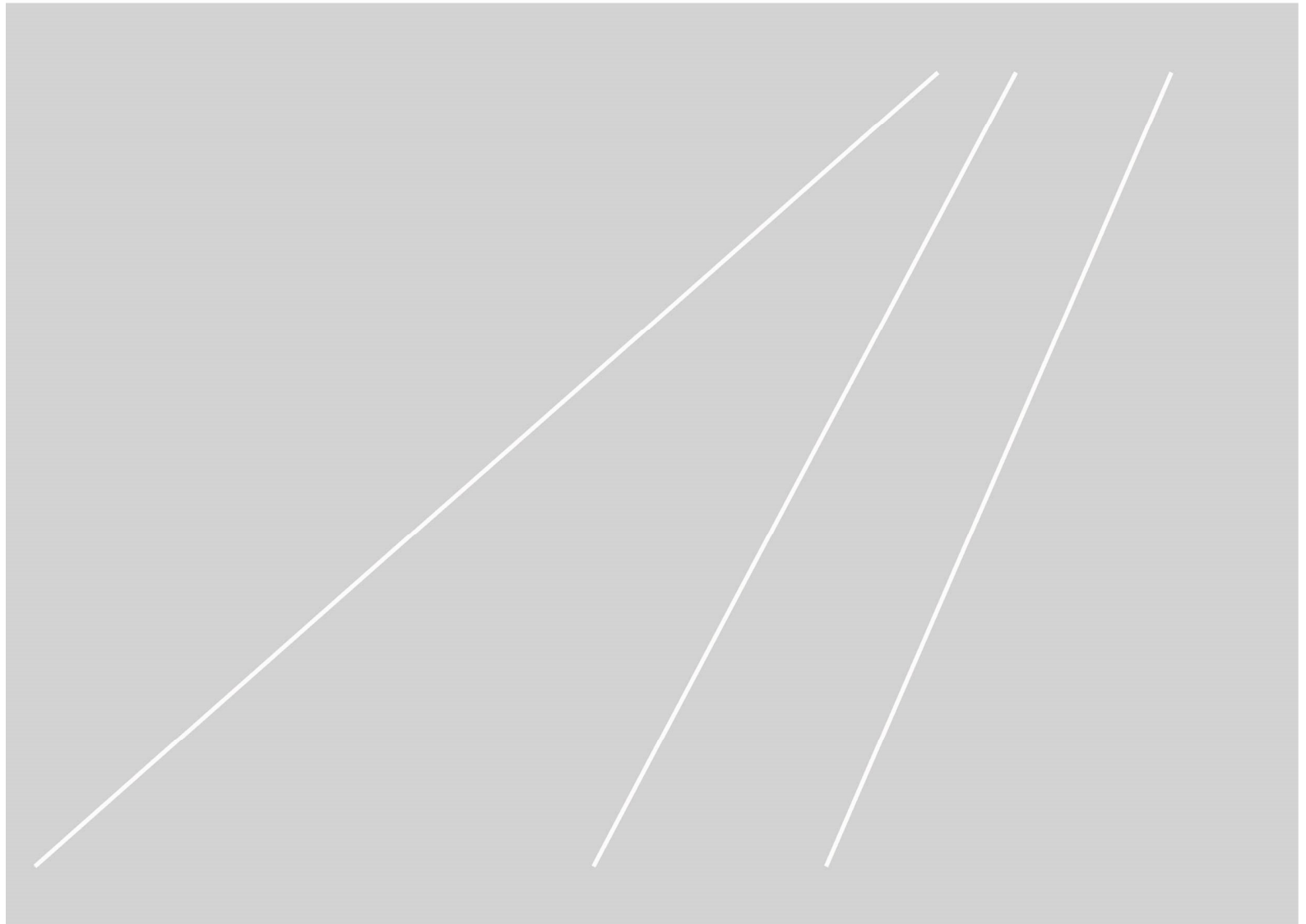
Contents

SECTION 8 LABEL ASSEMBLY	8-1
Label Assembly 0077110700000000	8-1

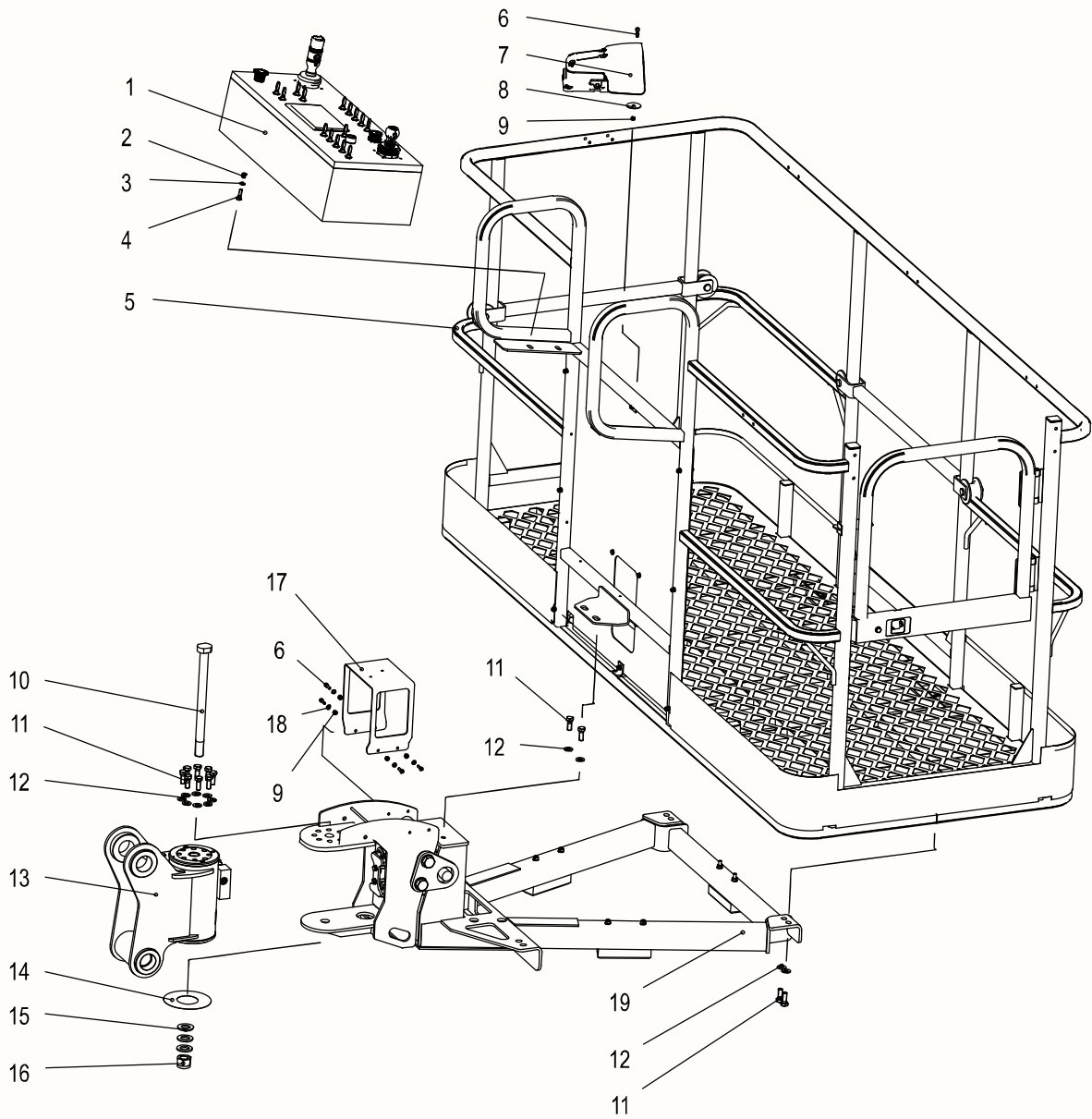
ZOOMLION

Parts Manual

Section 1 Work Platform



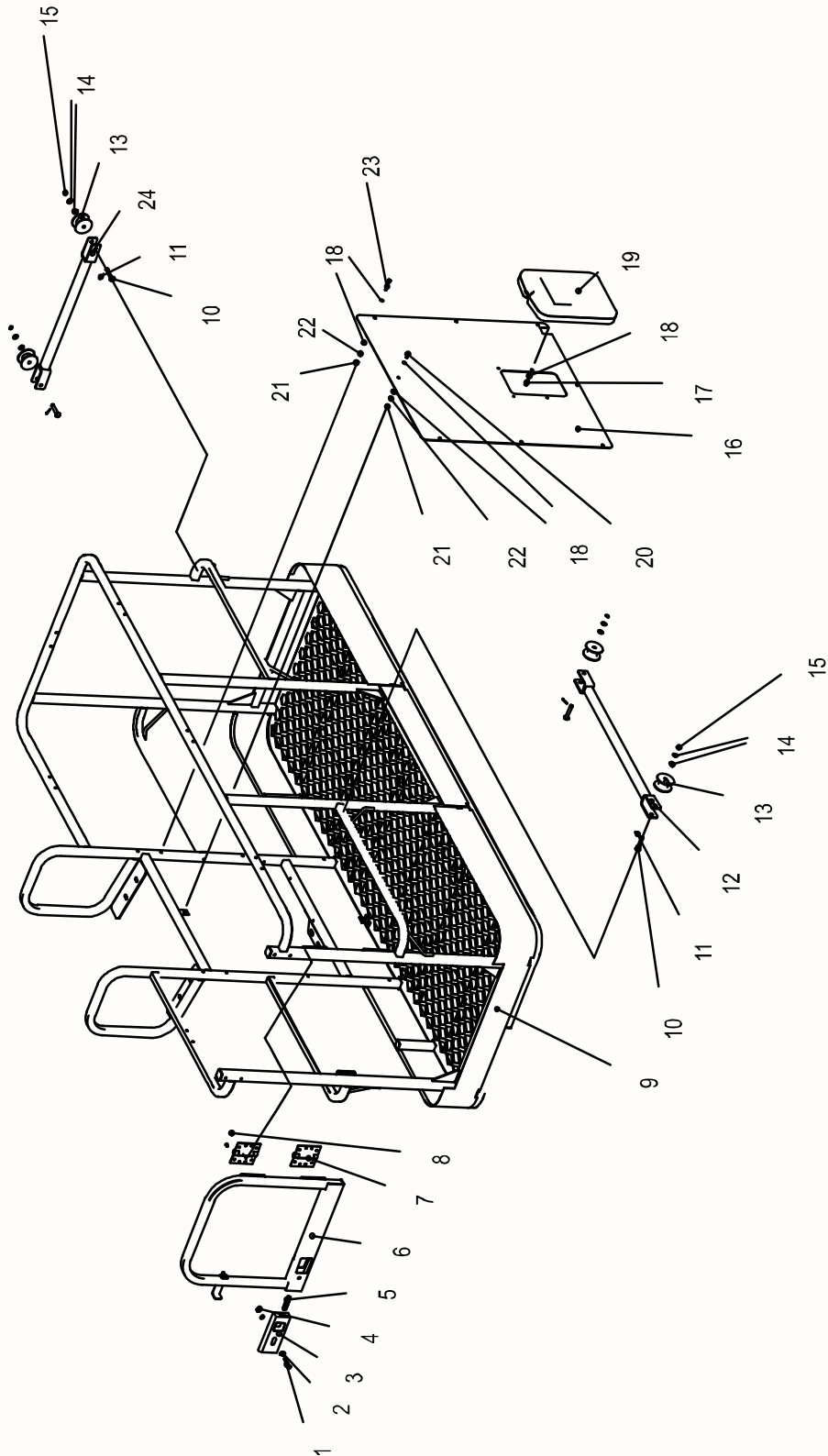
Work Platform 0077110010000000



Work Platform 00771100100000000

NO.	Material No.	Item and Spec	Units	Remark
1	00773406200210000	Platform electrical cabinet assembly	1	
2	1040200503	Hexagon lock nut with non-metallic insert M8-8	4	GB/T 889.1-2000
3	1040301515	Flat washer A class 8-200HV	4	GB/T 97.1-2002
4	1040004519	Hexagon bolt M8×25-8.8	4	GB/T 5783-2000
5	00771600100200000	Platform assembly	1	
6	1040102372	Hexagon socket head cap screws M6×20-A2-70	8	GB/T 70.1-2000
7	1020521022	Foot switch	1	
8	00771400100201020	Homemade washer	4	
9	1040201865	Hexagon nut M6-A2-70	8	GB/T 6170-2000
10	00771400100401080	Homemade bolt	1	
11	1040004653	Hexagon bolt M12×30-10.9	18	GB/T 5783-2000
12	1040302490	Flat washer A class 12-200HV	18	GB/T 97.1-2002
13	1010201535	Rotary actuator	1	
14	00771600100001040	Rotary actuator spacer shim	1	
15	1040301511	Flat washer A class 24-200HV	3	GB/T 97.1-2002
16	1040201111	Hexagon lock nut with non-metallic insert M24-10	1	GB/T 889.1-2000
17	00771100100001010	Hydraulic valve support	1	
18	1040300771	Flat washer A class 6-A2	4	GB/T 97.1-2002
19	00771600100400000	Tray assembly	1	

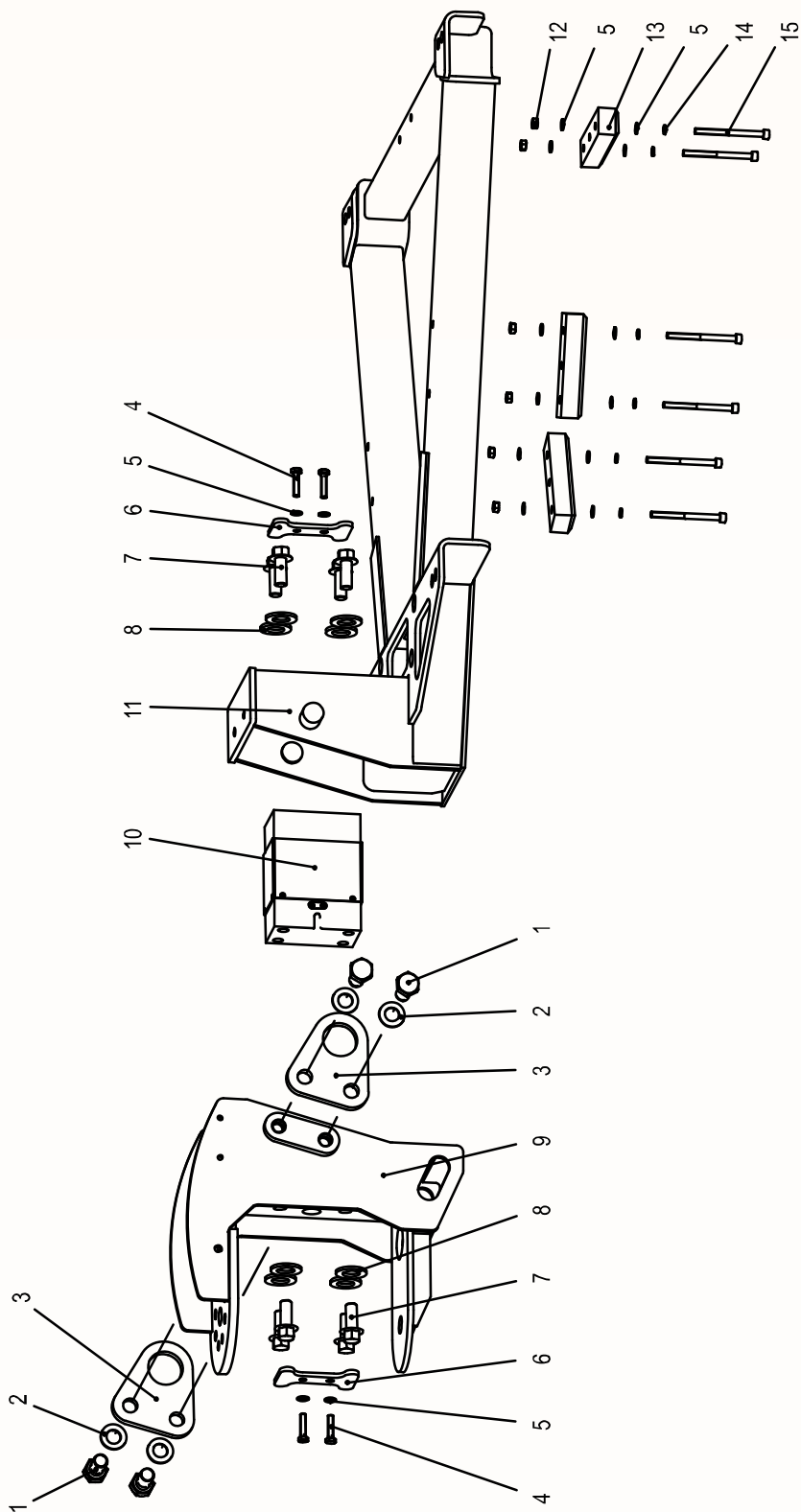
Platform assembly 00771600100200000



Platform assembly 00771600100200000

NO.	Material No.	Item and Spec	Units	Remark
1	1040004522	Hexagon bolt M8×50-8.8	1	GB/T 5783-2000
2	1040301515	Flat washer A class 8-200HV	2	GB/T 97.1-2002
3	00773400100201020	Key cylinder	1	
4	1040201880	Acorn nuts M8-6	1	GB/T 802-1988
5	00775600101801020	Spring	1	
6	00773400100230000	Swing gate	1	
7	1101000138	Reset hinge	2	
8	1040102599	Cross recessed countersunk head screw M5×12-A2-70	16	GB/T 819.1-2000
9	00771600100210000	Platform weldment	1	
10	00771400100201040	Sliding rod door locating pin	4	
11	1040500475	Cotter 3×20	4	GB/T 91-2000
12	00771400100230000	Removable slide door I	1	
13	00771600100201010	Nylon pulley	4	
14	1040302489	Flat washer A class 10-200HV	8	GB/T 97.1-2002
15	1040300043	Circlips for shaft--Type 10	4	GB/T894.1-1986
16	00771100100201010	Baffle	1	
17	1040001631	Hexagon bolt M6×20-A2-70	4	GB/T 5783-2000
18	1040300771	Flat washer A class 6-200HV	20	GB/T 97.1-2002
19	1999904986	Document box	1	
20	1040002555	Hexagon bolt M6×16-A2-70	2	GB/T 5783-2000
21	1040201865	Hexagon nut M6-A2-70	8	GB/T 6170-2000
22	1040301610	Standard spring washer 6	8	GB/T 93-1987
23	1040001715	Hexagon bolt M6×45-A2-70	6	GB/T 5783-2000
24	00771400100240000	Removable slide door II	1	

Tray assembly 00771600100400000



Tray assembly 00771600100400000

NO.	Material No.	Item and Spec	Units	Remark
1	1040004498	Hexagon bolt M20×40-8.8	4	GB/T 5783-2000
2	1040302493	Flat washer 20-200HV	4	GB/T 97.1-2002
3	00771600100001030	Platform hook II	2	
4	1040004619	Hexagon bolt M8×35-8.8	4	GB/T 5783-2000
5	1040301515	Flat washer A class 8-200HV	16	GB/T 97.1-2002
6	00773400100401020	Pressing plate	2	
7	1040004654	Hexagon bolt with flange B class M16×1.5×40	8	GB/T 5787-1986
8	1040301511	Flat washer A class 24-200HV	8	GB/T 97.1-2002
9	00771600100420000	Transit seat	1	
10	1021404016	Load cell	1	
11	00771600100410000	Tray weldment	1	
12	1040201089	Hexagon nut M8-8	6	GB/T 6170-2000
13	00773400100401040	Cushion block	3	
14	1040301510	Standard spring washer 8	6	GB/T 93-1987
15	1040103118	Hexagon socket head cap screws M8×100-8.8	6	GB/T 70.1-2000

ZOOMLION

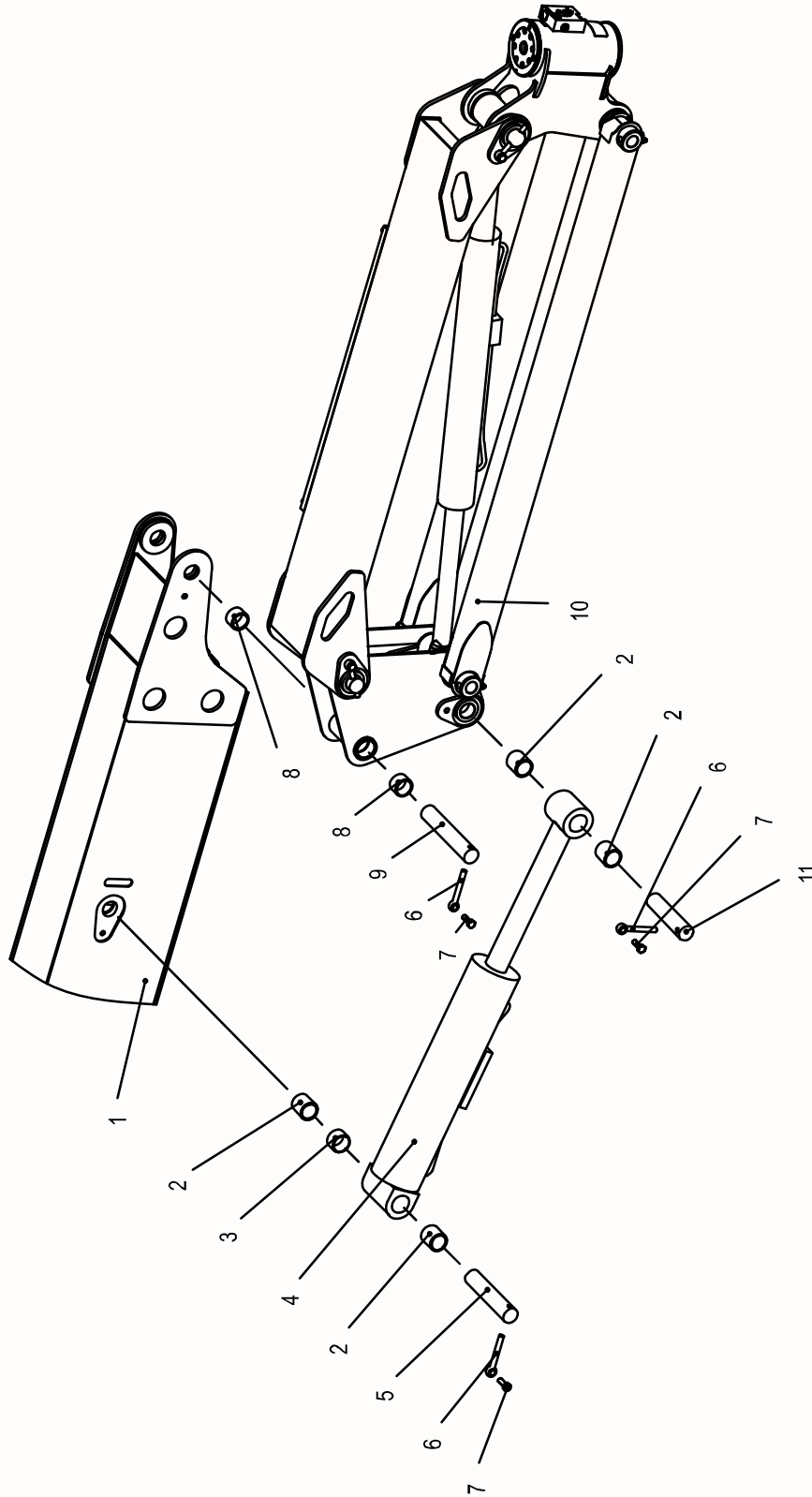
Parts Manual

Section 2 Boom



Jib 0077110021000000

BOOM

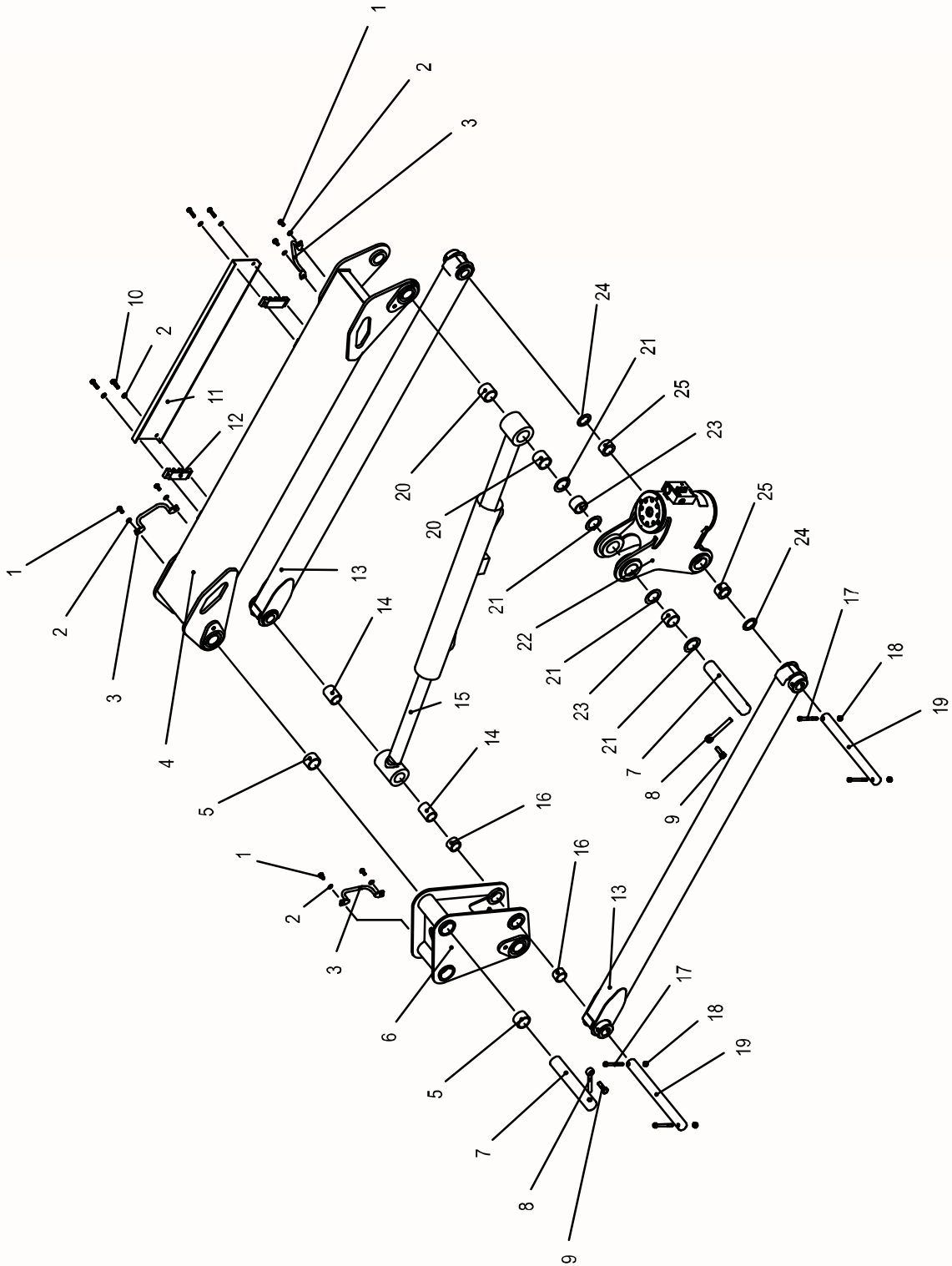


Jib 0077110021000000

NO.	Material No.	Item and Spec	Unit	Remark
1	0077110031060000	Boom weldment	1	
2	00771400301601020	Non-lubricated bearing	4	
3	00771100300001050	Cylinder bushing	1	
4	0077110030100000	Upper leveling cylinder	1	
5	00771100300001040	Upper leveling cylinder pin	1	
6	00773400200001070	Stop pin	3	
7	1040002437	Hexagon bolt M12×35-8.8	3	GB/T 5783-2000
8	00771400200001130	Non-lubricated bearing	2	
9	00771100210001010	Upper linkage pin	1	
10	0077110021000000	Jib	1	
11	00771100210001030	Main boom connecting pin	1	

Jib 0077110021000000

BOOM

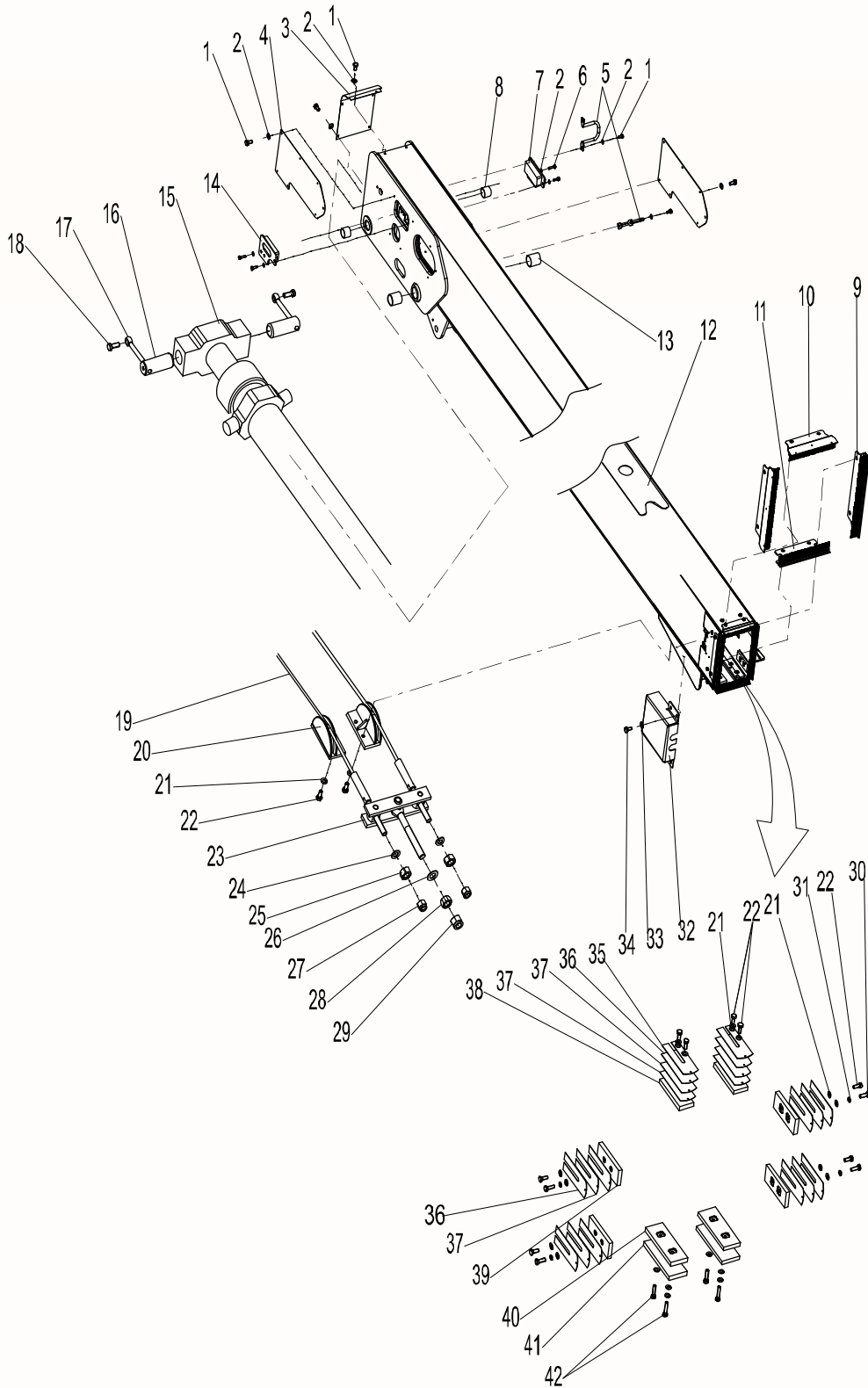


Jib 0077110021000000

NO.	Material No.	Item and Spec	Unit	Remark
1	1040004590	Hexagon bolt M8×14-8.8	6	GB/T 5783-2000
2	1040301515	Flat washer A class 8-200HV	10	GB/T 97.1-2002
3	00771400211200000	Adjustable pipe clip	3	
4	00771100210200000	Upper linkage	1	
5	00771400200001130	Non-lubricated bearing	2	
6	00771100200600000	Support	1	
7	00771100210001010	Upper linkage pin	2	
8	00773400200001070	Stop pin	2	
9	1040002437	Hexagon bolt M12×35-8.8	2	GB/T 5783-2000
10	1040004520	Hexagon bolt M8×30-8.8	4	GB/T 5783-2000
11	00771100210001100	Pipeline guard board	1	
12	00771100210001090	Pipe sleeve	2	
13	00771100210400000	Lower linkage	2	
14	00771100200001080	Non-lubricated bearing	2	
15	00771100200600000	Jib lifting cylinder	1	
16	00771100210001040	Non-lubricated bearing	2	
17	1040103116	Hexagon socket head cap screws M8×75-10.9	4	GB/T 70.1-2000
18	1040200503	Hexagon lock nutM24-10	4	GB/T 889.1-2000
19	00771100210001020	Lower linkage pin	2	
20	00771100200001070	Non-lubricated bearing	2	
21	00771100210001070	Spacer I	4	
22	1010201535	Rotary actuator	1	
23	00771100210001050	Non-lubricated bearing	2	
24	00771100210001080	Spacer II	2	
25	00771100210001060	Non-lubricated bearing	2	

Boom assembly 0077110031000000

BOOM

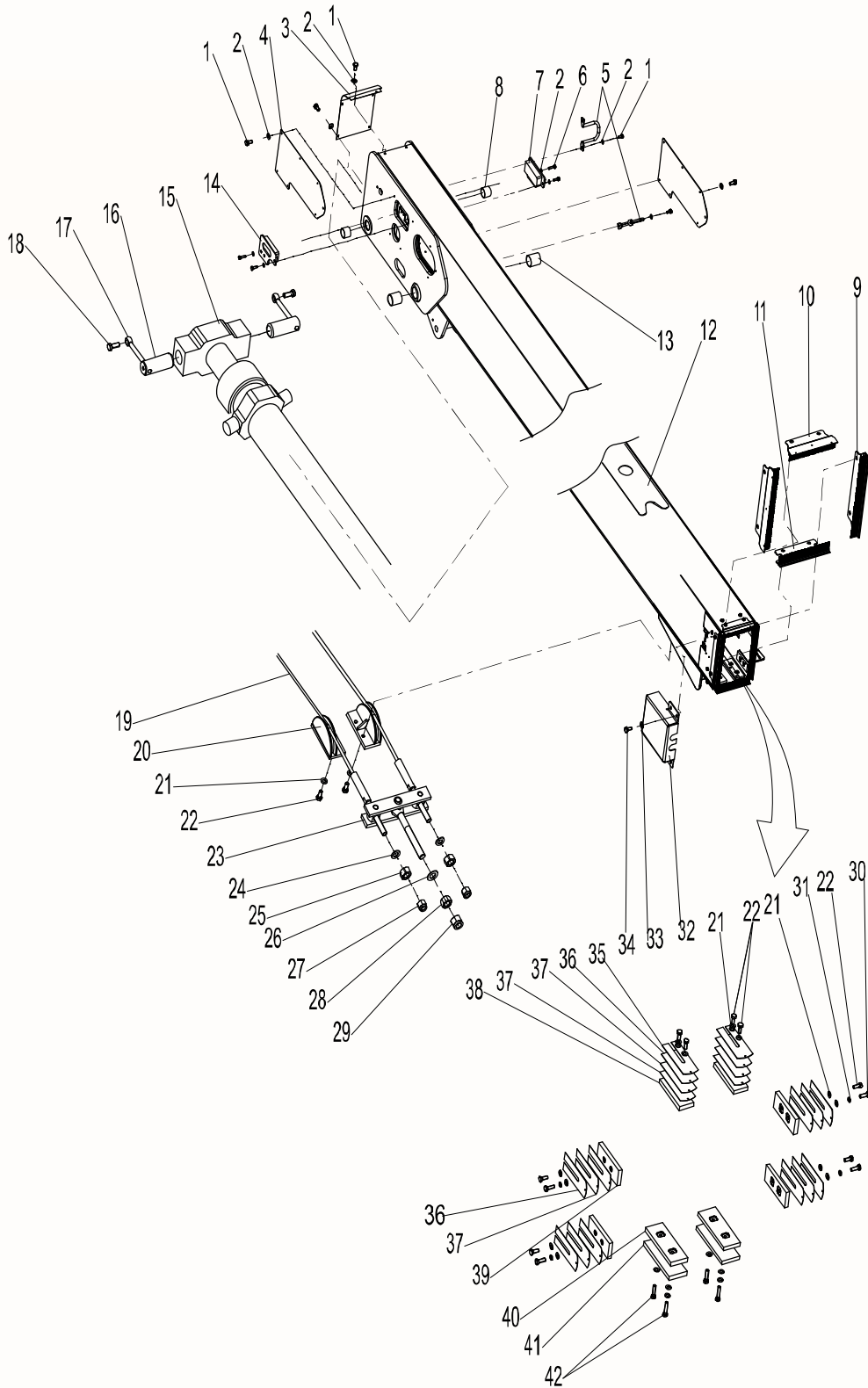


Boom assembly 0077110031000000

NO.	Material No.	Item and Spec	Unit	Remark
1	1040004517	Bolt M8×16-8.8	24	GB/T5783-2000
2	1040301515	Washer 8-200HV	24	GB/T97.1-2002
3	0077110030180000	Close plate weldment	1	
4	00771100300001030	Lateral cover plate	2	
5	0077140071180000	Adjustable pipe clip	2	
6	1040004519	Bolt M8×25-8.8	6	GB/T5783-2000
7	00771100310890000	Cover plate weldment Right	1	
8	00771100301201010	Non-lubricated bearing	2	
9	00771100301220000	Side dustproof f brush	2	
10	00771100301230000	Up dustproof f brush	1	
11	00771100301210000	Down dustproof f brush	1	
12	00771100310200000	Base boom	1	
13	00771100301201020	Non-lubricated bearing	2	
14	00771100310880000	Cover plate weldment Left	1	
15	00771100300810000	Telescopic cylinder	1	
16	00771100300801010	Telescopic cylinder pin	2	
17	00773400400001250	Stop pin	2	
18	1040004570	Bolt M16×30-8.8	2	GB/T5783-2000
19	00771100300801030	Boom retracting wire rope	2	
20	00771400300830000	Fixed pulley	2	
21	1040302489	Washer 10-200HV	24	GB/T97.1-2002
22	1040002434	Bolt M10×25-8.8	12	GB/T5783-2000
23	00771100300820000	Boom retract balance mechanism	1	
24	1040302492	Washer 16-200HV	2	GB/T97.1-2002
25	1040201382	Nut M16-8	2	GB/T6170-2000
26	1040302493	Washer 20-200HV	1	GB/T97.1-2002
27	1040201096	Nut M16-9	2	GB/T6182-2000
28	1040201484	Nut M20-10	1	GB/T6170-2000
29	1040200741	Nut M20-10	1	GB/T889.1-2000
30	1040004565	Bolt M10×30-8.8	4	GB/T5783-2016
31	1040301502	Washer 10-200HV	4	GB/T93-1987
32	00771100300001070	Sensor cover plate	1	
33	1040302410	Washer 4-200HV	4	GB/T97.1-2002
34	1040004591	Bolt M4×8-8.8	4	

Boom assembly 0077110031000000

BOOM

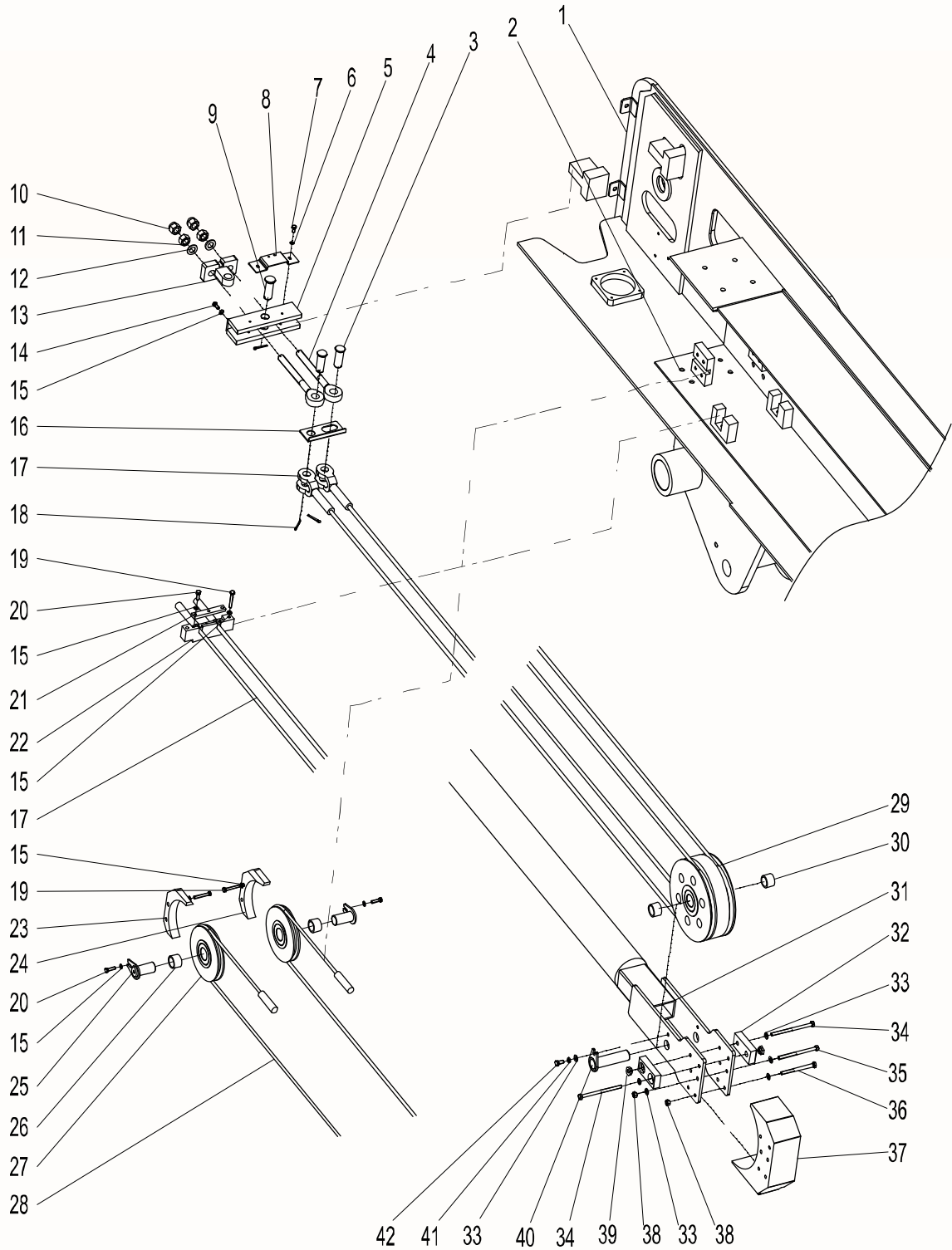


Boom assembly 0077110031000000

NO.	Material No.	Item and Spec	Unit	Remark
35	00773400300001130	Adjustable spacer IV	2	
36	00773400300001140	Adjustable spacer V	6	
37	00773400300001150	Adjustable spacer VI	12	
38	00771400301250000	Slider	2	
39	00771100301250000	Slider	4	
40	00771400301240000	Slider	2	
41	00771100301401040	Down slider cushion block	2	
42	1040004507	Bolt M10×40-8.8	4	GB/T5783-2000

Boom assembly 0077110031000000

BOOM

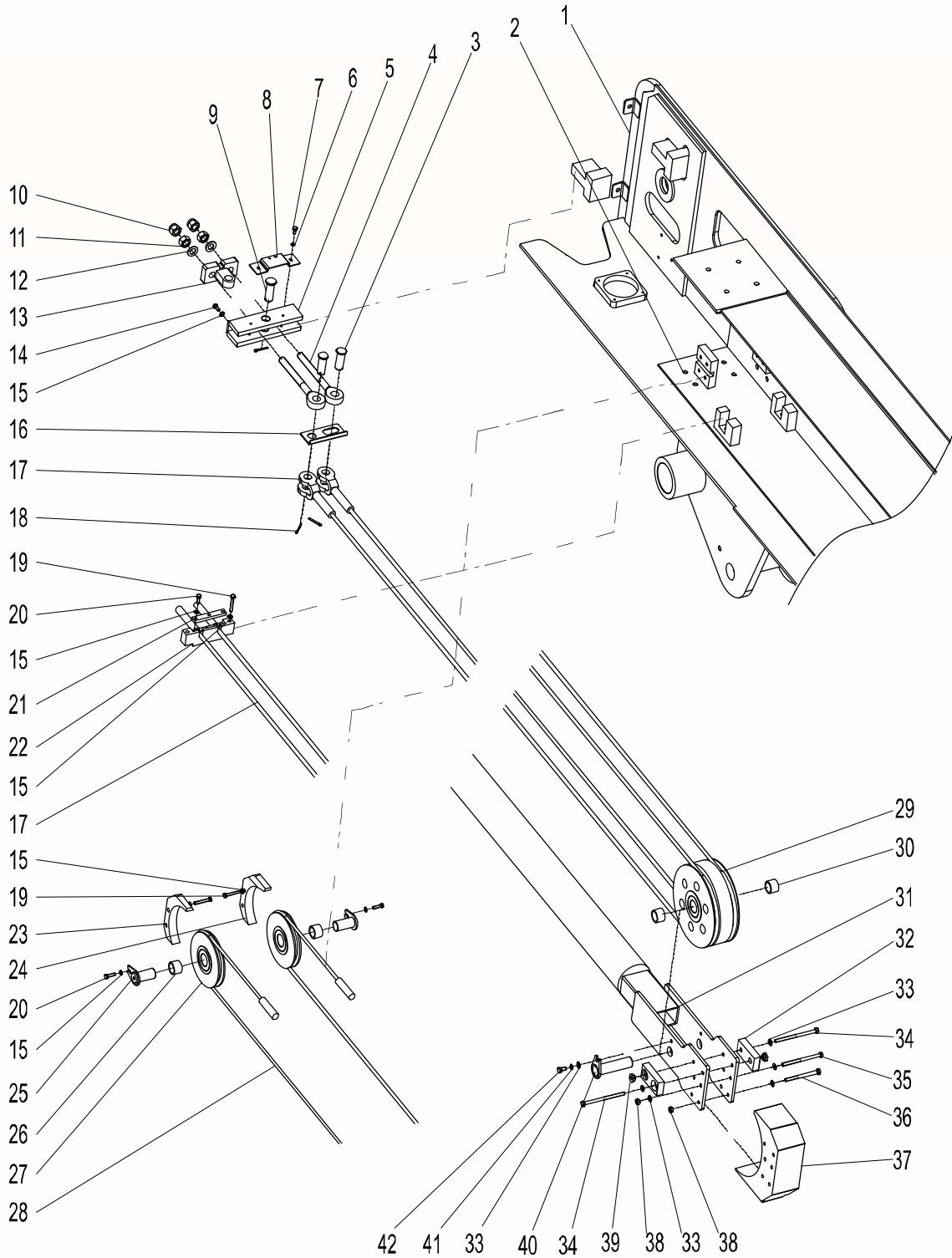


Boom assembly 0077110031000000

NO.	Material No.	Item and Spec	Unit	Remark
1	0077110031020000	Base boom weldment	1	
2	0077110031060000	Boom weldment	1	
3	00771100300801090	Pin I	2	
4	00771100300801060	Rope head	2	
5	00771100300850000	Baffle weldment	1	
6	1040300771	Washer 6-200HV	2	GB/T97.1-2002
7	1040004517	Bolt M8×16-8.8	2	GB/T5783-2000
8	00771100300860000	Bracket weldment	1	
9	00771100300801100	Pin II	1	
10	1040200741	Nut M20-10	2	GB/T889.1-2000
11	1040201484	Nut M20-10	2	GB/T6170-2000
12	1040302493	Washer 20-200HV	2	GB/T97.1-2002
13	00771100300801080	Swing Support	1	
14	1040004518	Bolt M8×20-8.8	2	GB/T5783-2000
15	1040301515	Washer 8-200HV	13	GB/T97.1-2002
16	00771100300801040	Turning preventing plate	1	
17	00771100300801020	Boom extending wire rope	2	
18	1040500394	Cotter 5×40	3	GB/T91-2000
19	1040000135	Bolt M8×55-8.8	6	GB/T5783-2000
20	1040004519	Bolt M8×25-8.8	5	GB/T5783-2000
21	00771100301601020	Pressing plate	1	
22	00771100301601010	Fixed support	1	
23	00771100300801050	Pulley cover Right	1	
24	00771100300801070	Pulley cover Left	1	
25	00771100300870000	Retracting pulley pin	2	
26	00771400300801010	Non-lubricated bearing I	2	
27	00771400300850000	Retracting pulley	2	
28	00771100300801030	Boom retracting wire rope	2	
29	00771100300840000	Extending boom pulley	1	
30	00771100300801030	Non-lubricated bearing II	2	
31	00771100300810000	Telescopic cylinder	1	
32	00771100300801110	Pulley side slider	2	
33	1040302489	Washer 10-200HV	9	GB/T97.1-2002
34	1040004620	Bolt M10×150-8.8	2	GB/T5782-2000

Boom assembly 0077110031000000

BOOM

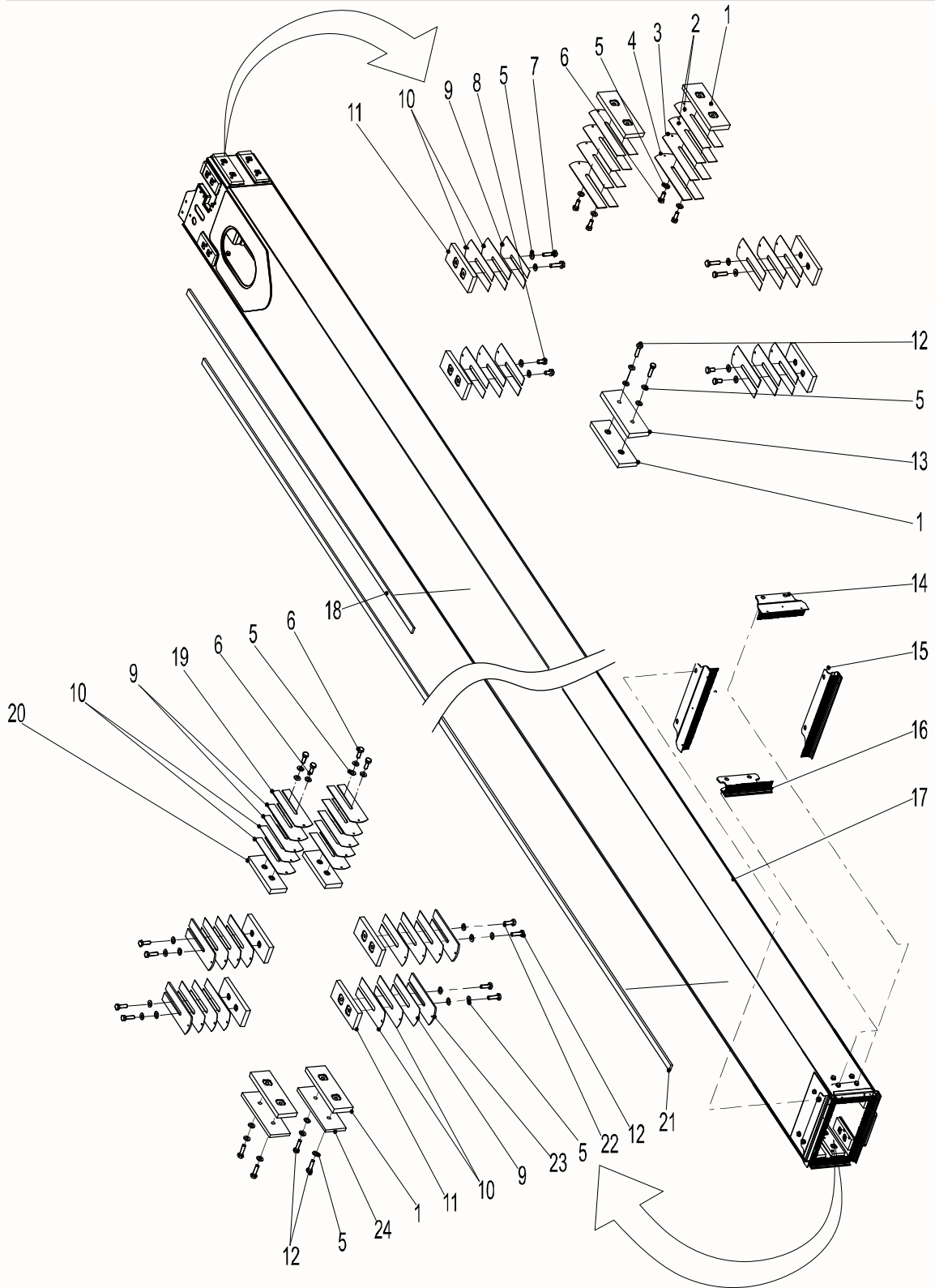


Boom assembly 0077110031000000

NO.	Material No.	Item and Spec	Unit	Remark
35	1040004594	Bolt M10×140-8.8	2	GB/T5782-2000
36	1040004554	Bolt M10×130-8.8	2	GB/T5782-2000
37	00771100310801120	Pulley slider	1	
38	1040200113	Nut M10-8	4	GB/T6170-2000
39	00771400301241020	T Nut	2	
40	00771100300830000	Extending boom pulley pin	1	
41	1040301502	Washer 10	1	GB/T93-1987
42	1040002433	Bolt M10×20-8.8	1	GB/T5783-2000

Boom assembly 0077110031000000

BOOM

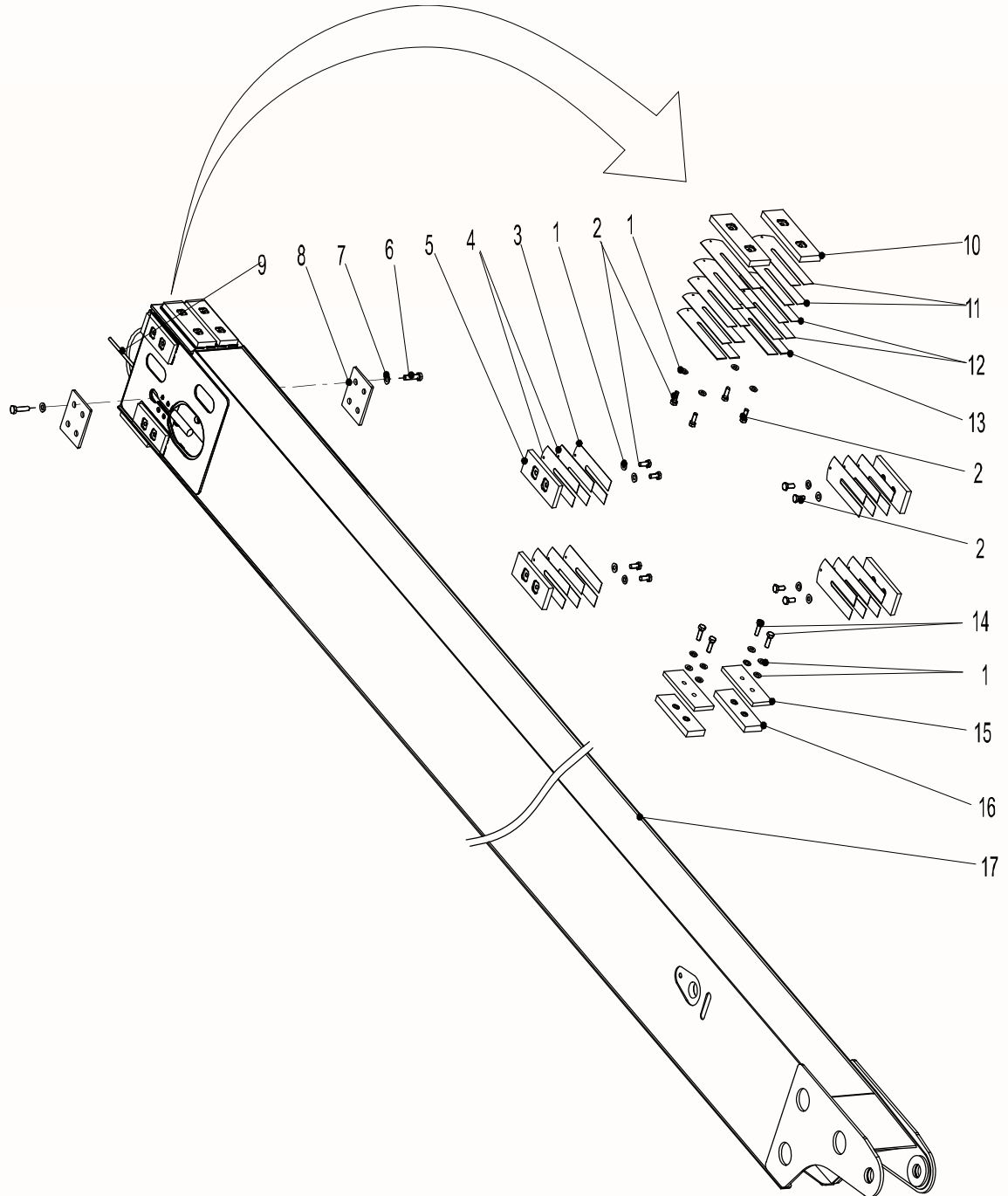


Boom assembly 0077110031000000

NO.	Material No.	Item and Spec	Unit	Remark
1	00771400301240000	Slider	5	
2	00771400301401030	Adjustable Spacer	4	
3	00771400301401020	Adjustable Spacer	2	
4	00771400301401010	Adjustable Spacer	2	
5	1040302489	Washer 10-200HV	40	GB/T97.1-2002
6	1040002434	Bolt M10×25-8.8	8	GB/T5783-2000
7	1040004507	Bolt M10×40-8.8	4	GB/T5783-2000
8	1040002433	Bolt M10×20-8.8	4	GB/T5783-2000
9	00773400300001140	Adjustable Spacer V	12	
10	00773400300001150	Adjustable Spacer VI	20	
11	00771100301250000	Slider	8	
12	1040002435	Bolt M10×35-8.8	10	GB/T5783-2000
13	00771100301401040	Cushion block	1	
14	00771100301420000	Up dustproof f brush	1	
15	00771100301430000	Side dustproof f brush	2	
16	00771100301410000	Down dustproof f brush	1	
17	00771100300400000	Boom weldment	1	
18	00771100301401020	Trigger bar	1	
19	00773400300001130	Adjustable Spacer IV	2	
20	00771400301250000	Slider	2	
21	00771100301401010	Trigger bar	1	
22	1040004565	Bolt M10×30-8.8	4	GB/T5783-2016
23	00771400301401040	Adjustable Spacer	4	
24	00771100301401030	cushion block	2	

Boom assembly 0077110031000000

BOOM

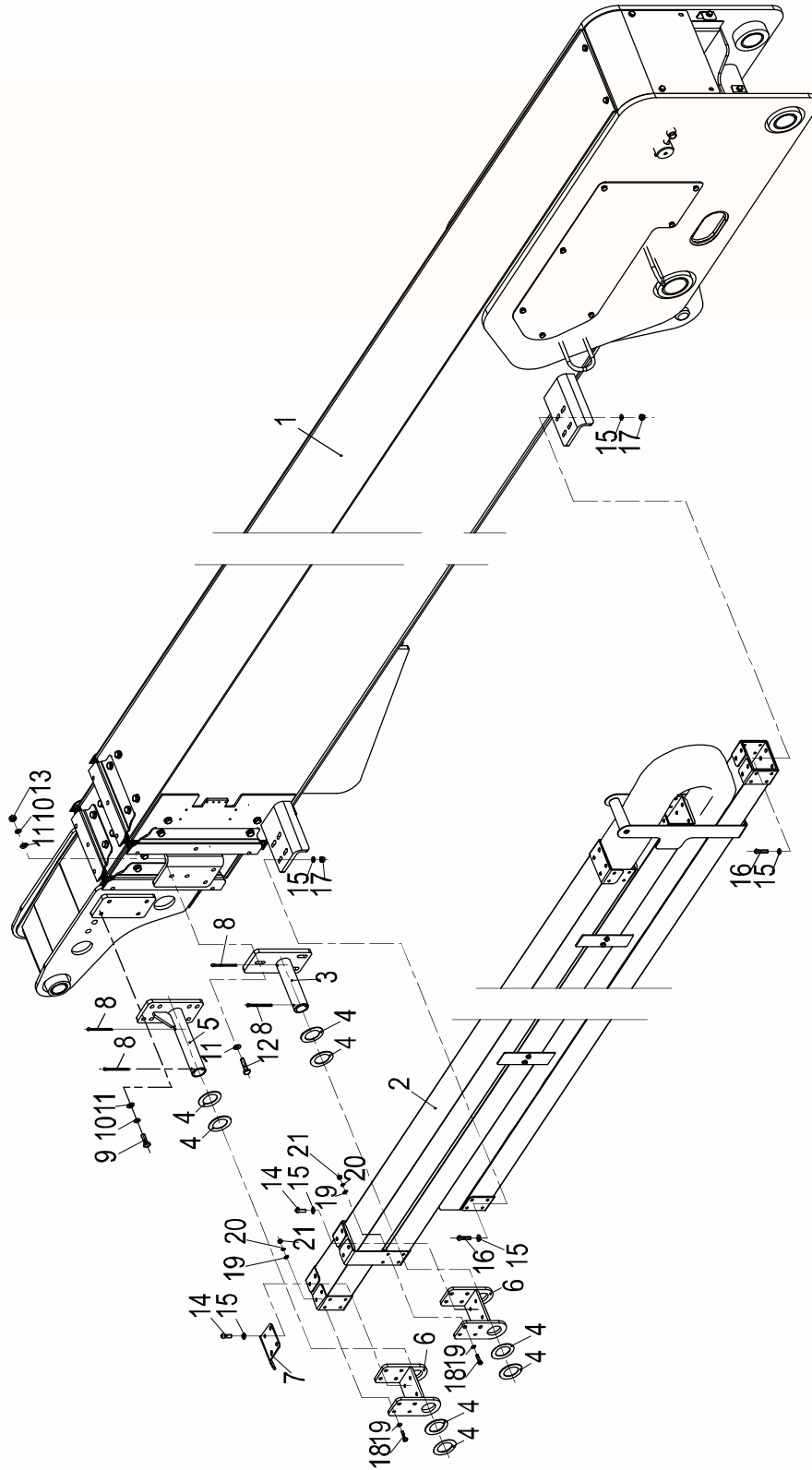


Boom assembly 0077110031000000

NO.	Material No.	Item and Spec	Unit	Remark
1	1040302489	Washer 10-200HV	20	GB/T97.1-2002
2	1040002434	Bolt M10×25-8.8	12	GB/T5783-2000
3	00773400300001140	Adjustable Spacer V	4	
4	00773400300001150	Adjustable Spacer VI	8	
5	00771100301250000	Slider	4	
6	1040004619	Bolt M8×35-8.8	8	GB/T5783-2000
7	1040301515	Washer 8-200HV	8	GB/T97.1-2002
8	00771100301601030	Retracting boom rope cover plate	2	
9	00771100300801030	Boom retracting wire rope	2	
10	00771400301240000	Slider	2	
11	00771400301401030	Adjustable Spacer	4	
12	00771400301401020	Adjustable Spacer	4	
13	00771400301401010	Adjustable Spacer	2	
14	1040004565	Bolt M10×30-8.8	4	GB/T5783-2016
15	00771400301250000	Slider	2	
16	00771100301601040	cushion block	2	
17	00771100310600000	Telescopic boom	1	

Cable chain system 0077140070000000

BOOM

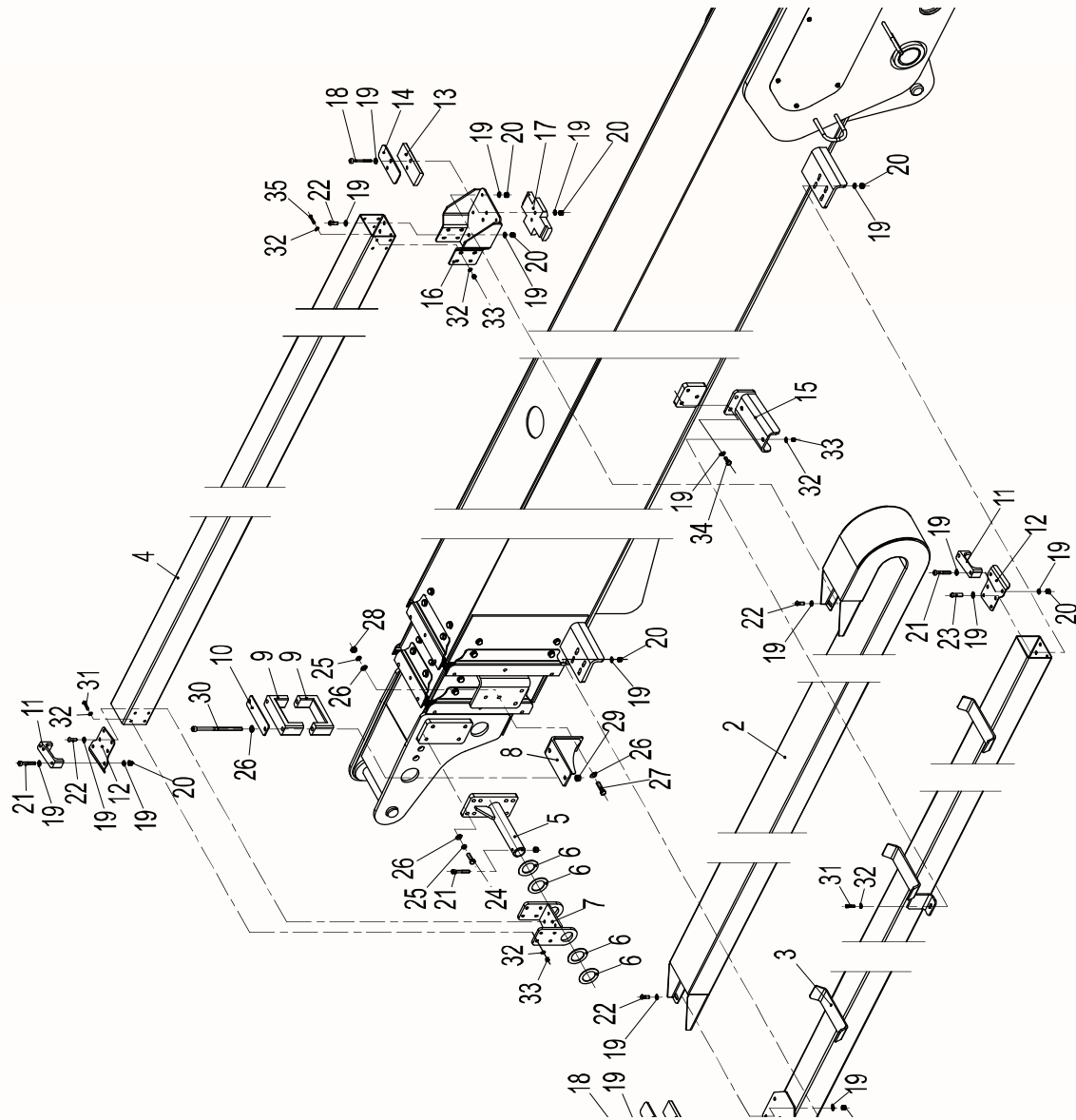


Cable chain system 0077140070000000

NO.	Material No.	Item and Spec	Unit	Remark
1	00771100310000000	Boom	1	
2	00771100700200000	Cable chain mechanism	1	
3	00771100700600000	Middle bracket	1	
4	00771400700001010	Washer	8	
5	00771100700400000	Mounting bracket I	1	
6	00771400700600000	Swing bracket	2	
7	00771100700001020	Guide plate	1	
8	1040500047	Pin 5×70	4	GB/T 91-2000
9	1040004565	Bolt M10×30-8.8	4	GB/T5783-2000
10	1040301502	Washer 10-200HV	7	GB/T93-1987
11	1040302489	Washer 10-200HV	10	GB/T97.1-2002
12	1040004507	Bolt M10×40-8.8	3	GB/T5783-2000
13	1040200113	Nut M10-8	3	GB/T6170-2000
14	1040102648	Screw M8×25-A2-70	8	GB/T70.2-2000
15	1040301515	Washer 8-200HV	24	GB/T97.1-2002
16	1040103059	Screw M8×35	8	GB/T70.2-2000
17	1040200503	Nut M8-8	8	GB/T889.1-2000
18	1040001640	Bolt M6×25-A2-70	16	GB/T5783-2000
19	1040300771	Washer 6-200HV	32	GB/T97.1-2002
20	1040301610	Washer 6	16	GB/T93-1987
21	1040201865	Nut M6-8	16	GB/T6170-2000

Cable chain system 0077110072000000

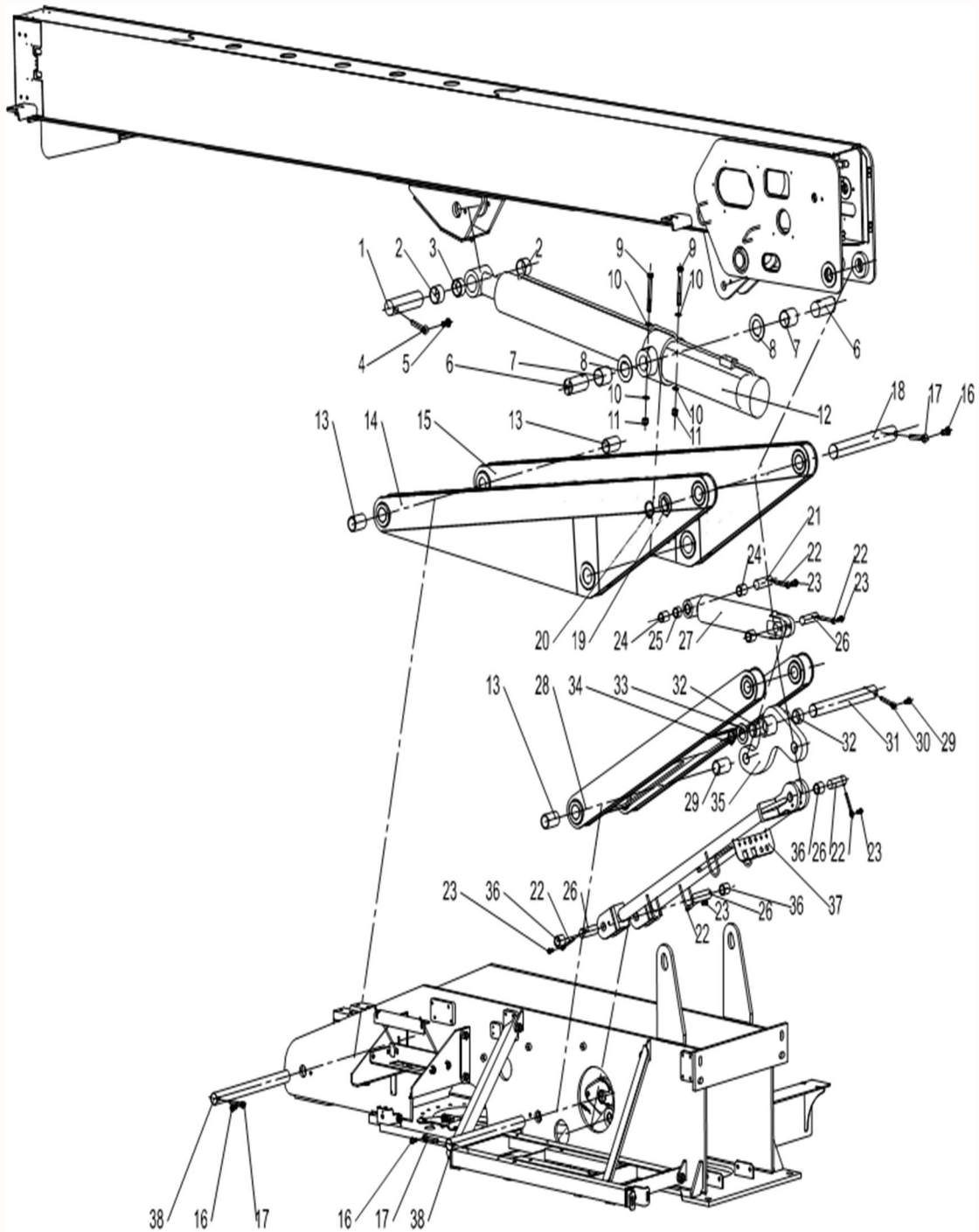
BOOM



Cable chain system 0077110072000000

NO.	Material No.	Item and Spec	Unit	Remark
1	0077110031000000	Boom	1	
2	00771100721200000	Steel chain	1	
3	00771100720600000	Fixed aluminum pipe welds	1	
4	00771100720001010	Adjustable aluminum pipe	1	
5	00771100720800000	Front bracket	1	
6	00771400700001010	Washer	4	
7	00771400721400000	Swing bracket	1	
8	00771100720400000	Middle support	1	
9	00771100720001040	Slide rest	2	
10	00771100720001060	Carriage board	1	
11	00771100720001100	Clip	3	
12	00771100720001090	Pipeline plate	3	
13	00771100720001070	Pipeline pressure block	2	
14	00771100720001080	Pipeline pressure plate	2	
15	00771100721000000	Support frame	1	
16	00771100720200000	Up adapter	1	
17	00771100720001050	Slider	1	
18	1040102037	Screw M8×70-8.8	4	GB/T70.1-2000
19	1040301515	Washer 8-200HV	67	GB/T97.1-2002
20	1040200503	Nut M8-8	31	GB/T889.1-2015
21	1040102738	Screw M8×55-8.8	7	GB/T70.1-2000
22	1040102648	Screw M8×25-A2-70	16	GB/T70.2-2000
23	1040103059	Screw M8×35-A2-70	8	GB/T70.2-2000
24	1040004565	Bolt M10×30-8.8	4	GB/T5783-2000
25	1040301502	Washer 10	6	GB/T93-1987
26	1040302489	Washer 10-200HV	10	GB/T97.1-2002
27	1040004507	Bolt M10×40-8.8	2	GB/T5783-2000
28	1040200113	Nut M10-8	2	GB/T6170-2000
29	1040200504	Nut M10-8	2	GB/T889.1-2000
30	1040103124	Screw M10×170-8.8	2	GB/T70.1-2000
31	1040100105	Screw M6×25-A2-70	10	GB/T70.1-2000
32	1040300771	Washer 6	36	GB/T97.1-2002
33	1040201896	Nut M6-8	18	GB/T889.1-2015

Linkage 0077110061000000

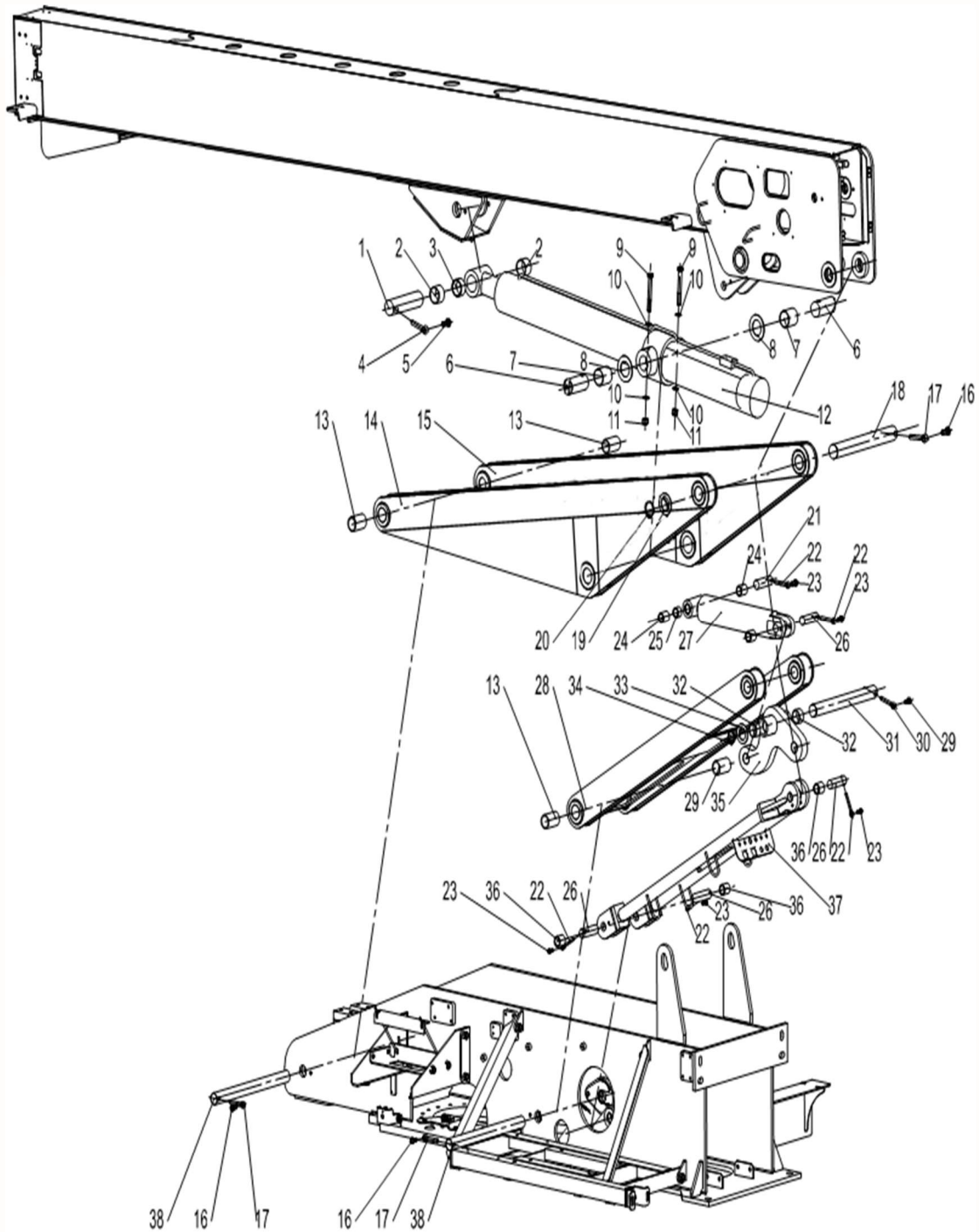


BOOM

Linkage 0077110061000000

NO.	Material No.	Item and Spec	Unit	Remark
1	00771100300001010	Pin	1	
2	00771100600001060	Non-lubricated bearing	2	
3	00771100600001100	Spacer bush	1	
4	00773400200001070	Stop pin	1	
5	1040004499	Bolt M20×45-8.8	1	GB/T5783-2000
6	00771100610001050	Pin	2	
7	00771100610001040	Non-lubricated bearing	2	
8	00771100600001070	Spacer	2	
9	1040004606	Bolt M20×160-10.9	2	GB/T5783-2000
10	1040301033	Washer 20-8-200HV	4	GB/T 97.1-2002
11	1040200741	Nut M20-10	2	GB/T 889.1-2000
12	00771100600800000	lifting cylinder	1	
13	00771100610001030	Non-lubricated bearing	4	
14	00771100611000000	Rear-right Linkage	1	
15	00771100610200000	Rear-left Linkage	1	
16	1040004499	Bolt M20×45-8.8	1	GB/T5783-2000
17	00773400400001170	Stop pin	1	
18	00771100610001020	Pin	1	
19	00771100600001090	Washer	1	
20	1040300568	Ring 65	1	GB/T894.2-1986
21	00771100300001010	Pin	1	
22	00773400200001070	Stop pin	5	
23	1040004511	Bolt M12×30-8.8	5	GB/T5783-2000
24	00771400301601020	Non-lubricated bearing	2	
25	00771100300001060	Piston rod spacer bush	1	
26	00771100600601010	Pin	4	
27	00771100600630000	Leveling cylinder	1	
28	00771100610400000	Front linkage	1	
29	1040004570	Bolt M16×30-8.8	1	GB/T5783-2000
30	00773400400001250	Stop pin	1	
31	00771100610001010	Pin	1	
32	00771100600601020	Non-lubricated bearing	2	
33	00771100600001080	Washer	1	
34	1040300321	Ring 55	1	GB/T894.2-1986

Linkage 0077110061000000



BOOM

Linkage 00771100610000000

NO.	Material No.	Item and Spec	Unit	Remark
35	00771100600620000	Leveling swing boom	1	
36	00771400301601020	Non-lubricated bearing	4	
37	00771100600610000	Leveling rod	1	
38	00771100800001050	Pin	2	

ZOOMLION

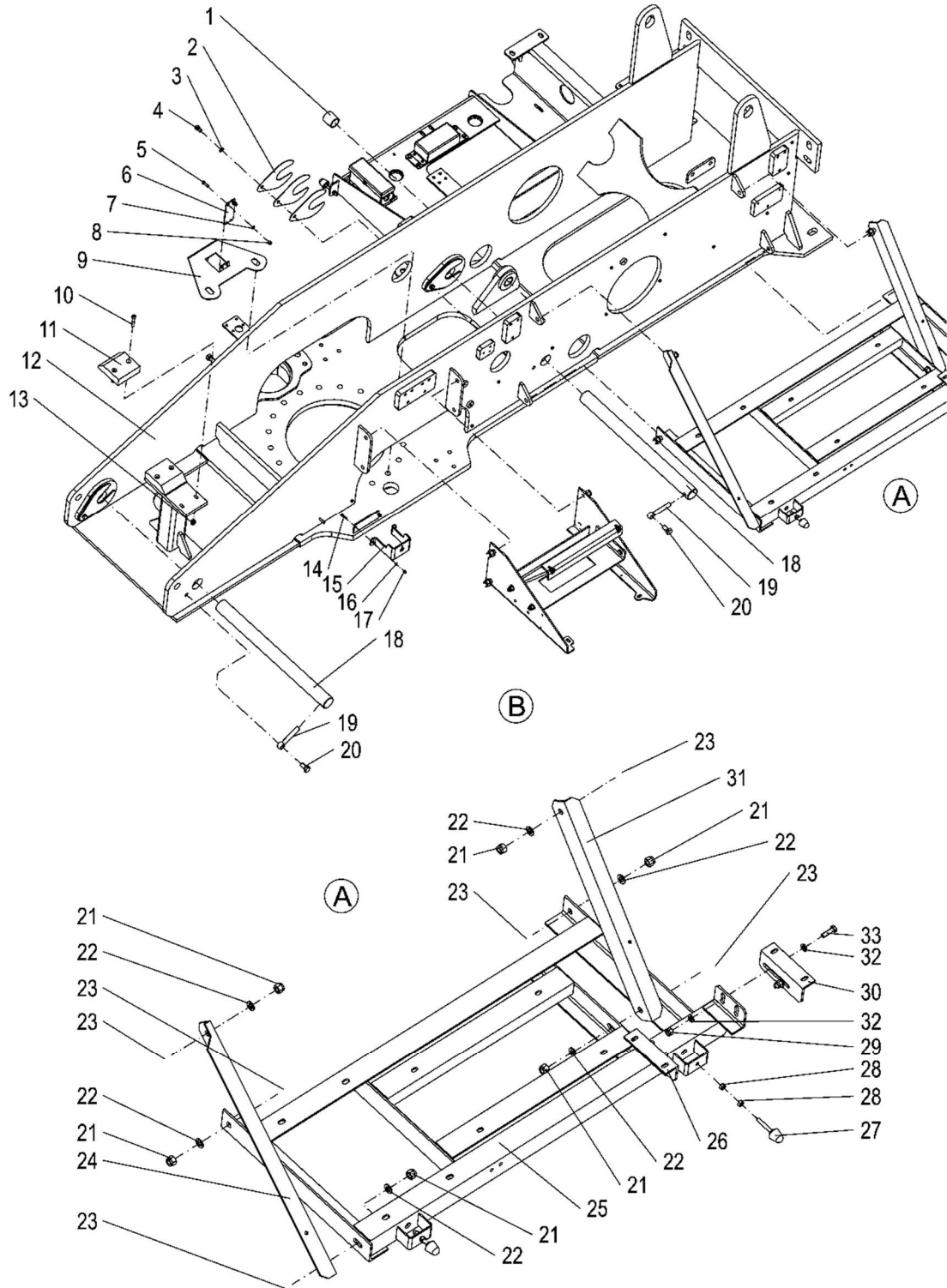
Parts Manual

Section 3 Turntable



Turntable assembly 0077110080000000(Perkins)

TURNTABLE

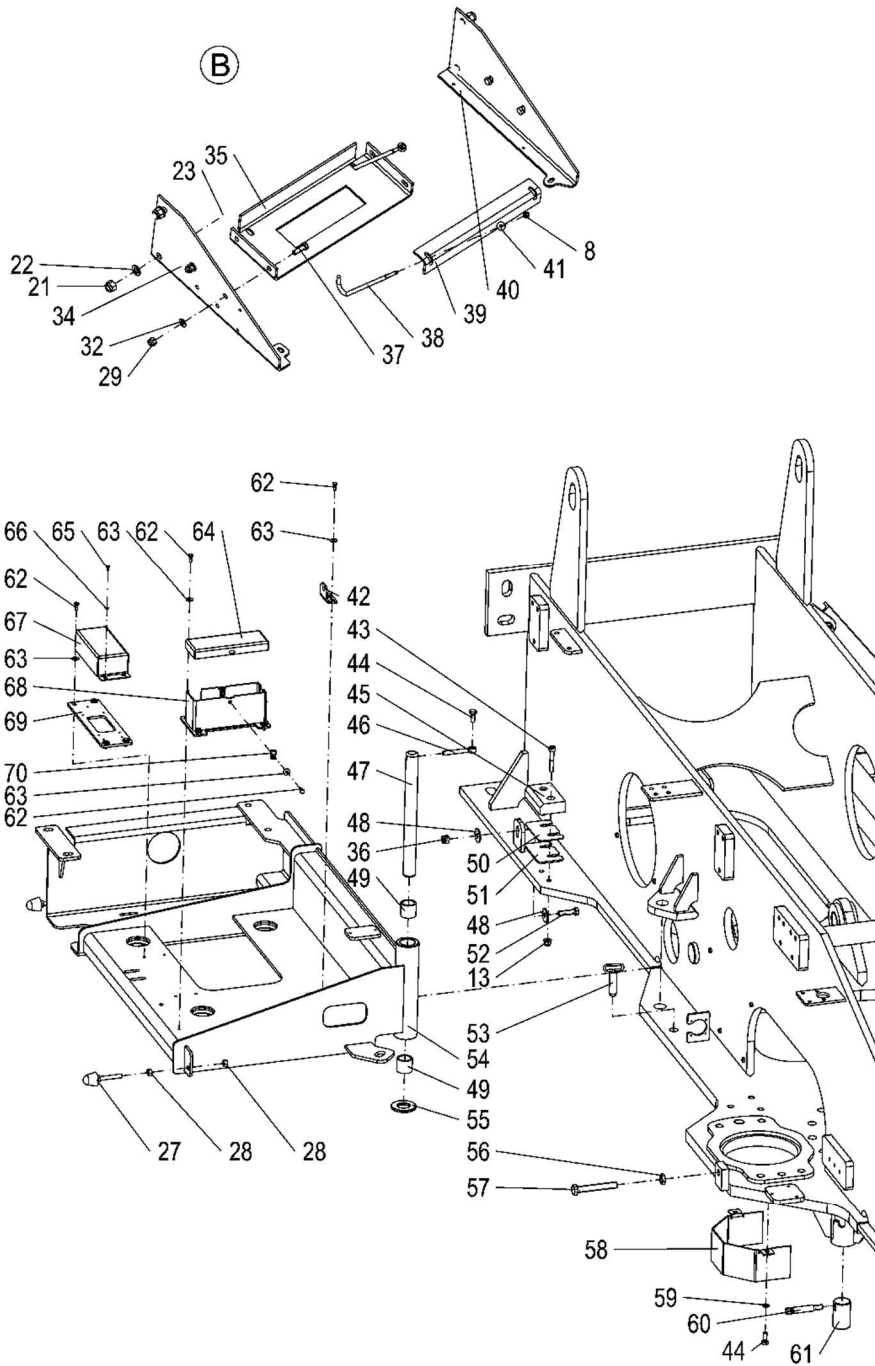


Turntable assembly 0077110080000000(Perkins)

NO.	Material No.	Item and Spec	Unit	Remark
1	00771400301601020	Non-lubricated bearing	2	
2	00771100800001100	Linkage clearance adjusting plate	12	
3	1040301503	Washer12	2	GB/T93-1987
4	1040005846	Bolt M12×20-8.8	6	GB/T5783-2000
5	1040004519	Bolt M8×25-8.8	2	GB/T5783-2000
6	00771100800001090	Swinging angle switch support	1	
7	1040301515	Washer8-200HV	2	GB/T97.1-2002
8	1040200503	Nut M8-8	4	GB/T889.1-2000
9	00771100801400000	Swivel joint bracket	1	
10	1040101493	Screw M10×55-8.8	4	GB/T70.1-2000
11	00771100800001010	Boom bumper block	2	
12	00771100800200000	Turntable welds	1	
13	1040201523	Lock nut M10-10	6	GB/T 6183.1-2000
14	1040001640	Bolt M6×25-A2-70	2	GB/T5783-2000
15	00771400800001120	Electrical switch support	1	
16	1040300771	Washer6-200HV	2	GB/T97.1-2002
17	1040201896	Nut M6-8	2	GB/T889.1-2015
18	00771100800001050	Pin	2	
19	00773400400001250	Stop pin	2	
20	1040004570	Bolt M16×30-8.8	2	GB/T5783-2000
21	1040200161	Nut M16-8	11	GB/T889-1986
22	1040302492	Washer16-200HV	13	GB/T97.1-2002
23	1040002447	Bolt M16×45-8.8	11	GB/T5783-2000
24	00771100800801010	Support I	1	
25	00771100800810000	Right side support welds	1	
26	00771100800801070	Electrical cabinet support II	1	
27	1040004678	Door stop bolt M10×70	4	
28	1040200113	Nut M10	8	GB/T6170-2000
29	1040200507	Nut M12-8	11	GB/T889.1-2000
30	00771100800801060	Electrical cabinet Support I	1	
31	00771100800801030	Support II	1	
32	1040302490	Washer12-200HV	4	GB/T97.1-2002
33	1040002439	Bolt M12×40-8.8	4	GB/T5783-2000

Turntable assembly 0077110080000000(Perkins)

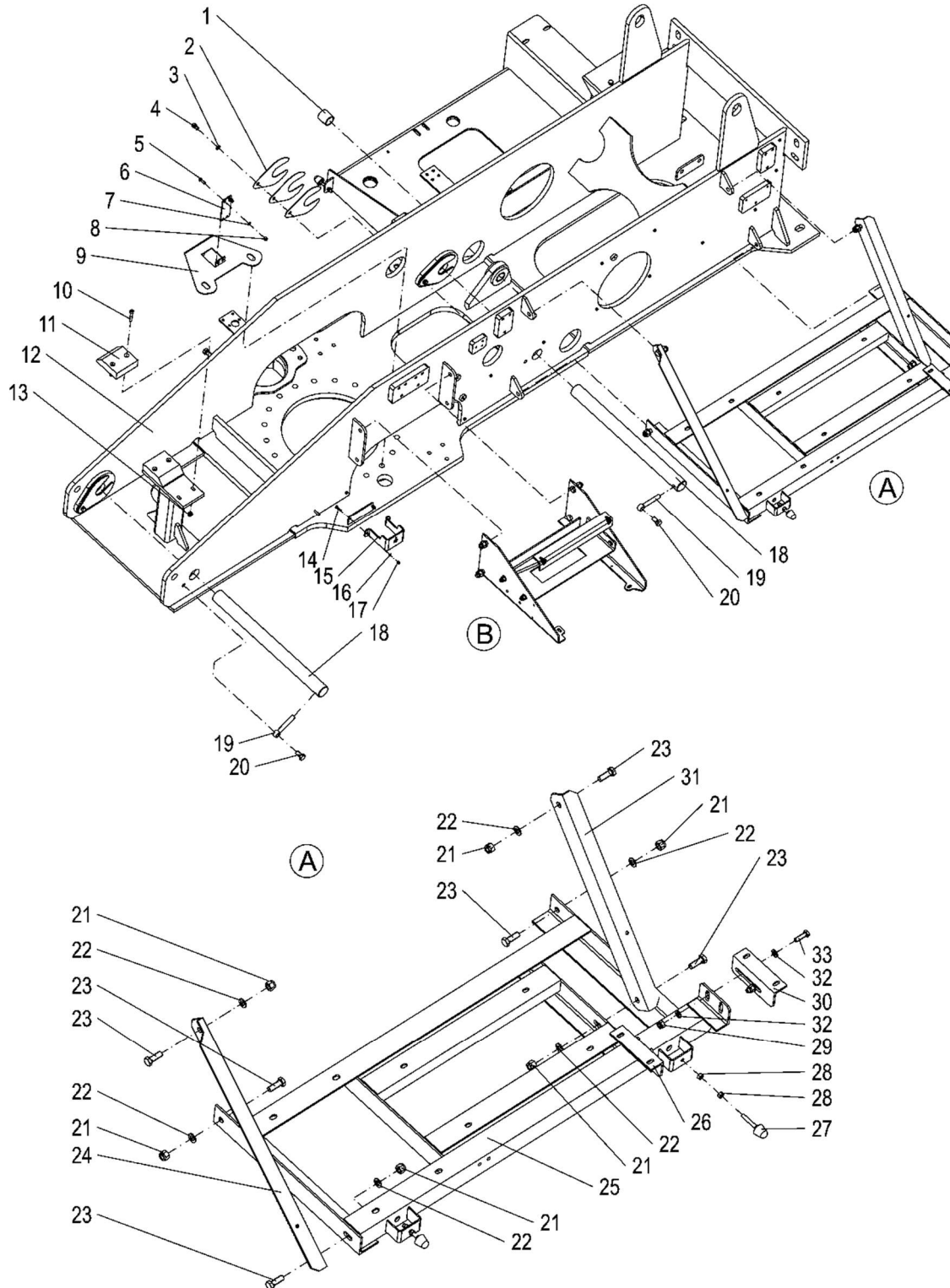
TURNTABLE



Turntable assembly 0077110080000000(Perkins)

NO.	Material No.	Item and Spec	Unit	Remark
34	00771100800401020	Main valve support II	1	
35	00771100800401040	Battery support II	1	
37	1040002437	Bolt M12×35-8.8	4	GB/T5783-2000
38	00771100800401050	Battery mounting rod	2	
39	00771100800401030	Battery support I	1	
40	00771100800401010	Main valve support I	1	
41	1040302480	Washer8-200HV	6	GB/T96.1-2002
42	00773400830201020	Baffle	1	
43	1040103120	Screw M10×60-8.8	2	GB/T70.1-2000
44	1040002434	Bolt M10×25-8.8	3	GB/T5783-2000
45	00771100800001020	Tray bumper block	1	
46	00773400300001200	Stop pinΦ10	1	
47	00771100800001110	Tray axle Φ32	1	
48	1040301031	Washer12-300HV	2	GB/T96.1-2002
49	00773400800001010	Bearing	2	
50	00771100800001140	Tray washer II	1	
51	00771100800001130	Tray washer I	1	
52	1040004608	Bolt M12×45-8.8	1	GB/T5782-2000
53	00773400801400000	Tray plug pin	1	
54	00771100801800000	Engine support	1	
55	00773400800001150	Friction plate	1	
56	1040201882	Nut M16	1	GB/T6172-2000
57	1040004615	Bolt M16×110-10.9	1	GB/T5783-2000
58	00771100800001030	Gear cover	1	
59	1040301502	Washer10	2	GB/T93-1987
60	1040100714	Screw M12×130-8.8	1	GB/T70.1-2000
61	00771100800001080	Lock pin	1	
62	1040002555	Bolt M6×60-A2-70	12	GB/T5783-2000
63	1040300735	Washer6-200HV	12	GB/T96.1-2002
64	00773400830201010	Cover	1	
65	1040004591	Bolt M4×8-A2-70	11	GB/T5783-2000
66	1040302410	Washer4-200HV	11	GB/T97.1-2002
67	00773400830601020	Control box cover	1	
68	00773400830210000	Base	1	
69	00773400830601010	Connecting plate	1	
70	1040201743	Nut M6	2	QC/T608-2011

Turntable assembly 0077110081000000(DeutzD447)

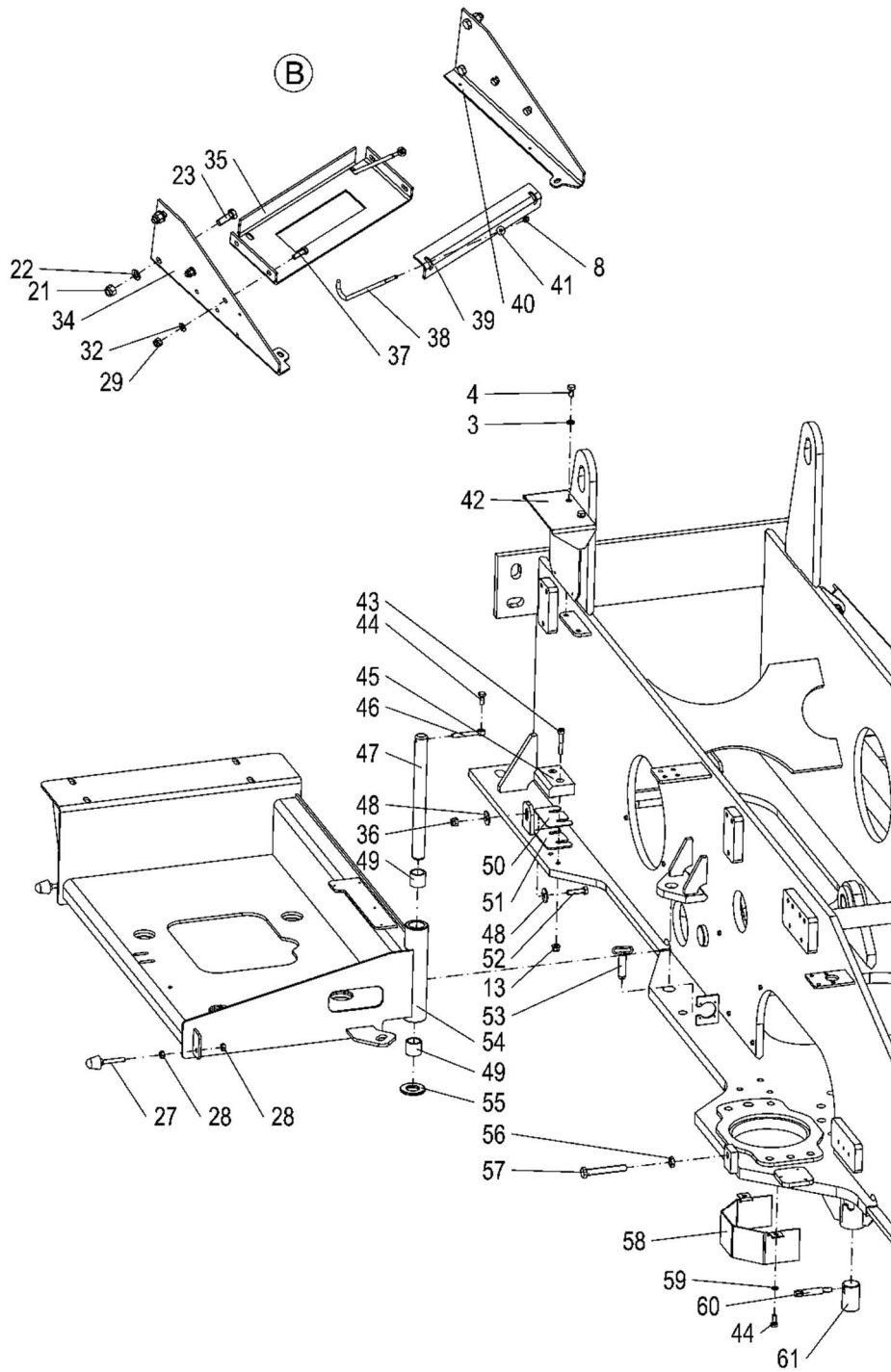


TURNTABLE

Turntable assembly 0077110081000000 (DeutzD447)

NO.	Material No.	Item and Spec	Unit	Remark
1	00771400301601020	Non-lubricated bearing	2	
2	00771100800001100	Linkage clearance adjusting plate	12	
3	1040301503	Washer12	2	GB/T93-1987
4	1040005846	Bolt M12×20-8.8	6	GB/T5783-2000
5	1040004519	Bolt M8×25-8.8	2	GB/T5783-2000
6	00771100800001090	Swinging angle switch support	1	
7	1040301515	Washer8-200HV	2	GB/T97.1-2002
8	1040200503	Nut M8-8	4	GB/T889.1-2000
9	00771100801400000	Swivel joint bracket	1	
10	1040101493	Screw M10×55-8.8	4	GB/T70.1-2000
11	00771100800001010	Boom bumper block	2	
12	00771100800200000	Turntable welds	1	
13	1040201523	Lock nut M10-10	6	GB/T 6183.1-2000
14	1040001640	Bolt M6×25-A2-70	2	GB/T5783-2000
15	00771400800001120	Electrical switch support	1	
16	1040300771	Washer6-220HV	2	GB/T97.1-2002
17	1040201896	Nut M6-8-8.8	2	GB/T889.1-2015
18	00771100800001050	Pin	2	
19	00773400400001250	Stop pin	2	
20	1040004570	Bolt M16×30-8.8	2	GB/T5783-2000
21	1040200161	Nut M16-8	11	GB/T889-1986
22	1040302492	Washer16-200HV	13	GB/T97.1-2002
23	1040002447	Bolt M16×45-8.8	11	GB/T5783-2000
24	00771100800801010	Support I	1	
25	00771100800810000	Right support welds	1	
26	00771100800801070	Electrical cabinet Support II	1	
27	1040004678	Door knob bolt M10×70	4	
28	1040200113	Nut M10	8	GB/T6170-2000
29	1040200507	Nut M12-8	11	GB/T889.1-2000
30	00771100800801060	Electrical cabinet Support I	1	
31	00771100800801030	Support II	1	
32	1040302490	Washer12-200HV	4	GB/T97.1-2002
33	1040002439	Bolt M12×40-8.8	4	GB/T5783-2000

Turntable assembly 0077110081000000 (DeutzD447)

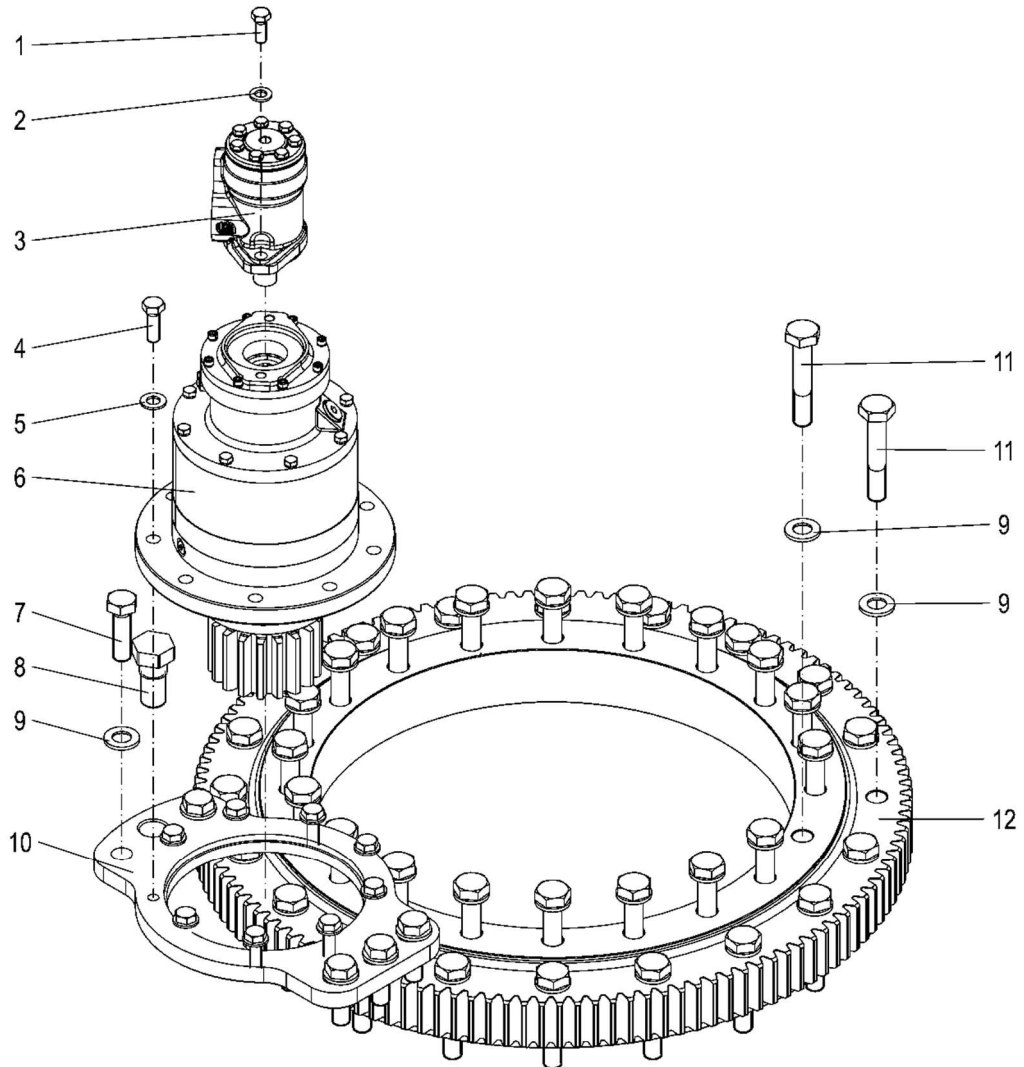


TURNTABLE

Turntable assembly 0077110081000000 (DeutzD447)

NO.	Material No.	Item and Spec	Unit	Remark
34	00771100800401020	Main valve support II	1	
35	00771100800401040	Battery support II	1	
37	1040002437	Bolt M12×35-8.8	4	GB/T5783-2000
38	00771100800401050	Battery mounting rod	2	
39	00771100800401030	Battery Support I	1	
40	00771100800401010	Main valve support I	1	
41	1040302480	Washer8-200HV	6	GB/T96.1-2002
42	00771100802000000	ECU water-proof cover	1	
43	1040103120	Screw M10×60-8.8	2	GB/T70.1-2000
44	1040002434	Bolt M10×25-8.8	3	GB/T5783-2000
45	00771100800001020	Tray bumper block	1	
46	00773400300001200	Stop pin	1	
47	00771100800001110	Tray axle	1	
48	1040301031	Washer12-300HV	2	GB/T96.1-2002
49	00773400800001010	Bearing	2	
50	00771100800001140	Tray washer II	1	
51	00771100800001130	Tray washer I	1	
52	1040004608	Bolt M12×45-8.8	1	GB/T5782-2000
53	00773400801400000	Tray plug pin	1	
54	00771100801600000	Engine support	1	
55	00773400800001150	Friction plate	1	
56	1040201882	Nut M16-10.9	1	GB/T6172-2000
57	1040004615	Bolt M16×110-10.9	1	GB/T5783-2000
58	00771100800001030	Gear cover	1	
59	1040301502	Washer10	2	GB/T93-1987
60	1040100714	Screw M12×130-8.8	1	GB/T70.1-2000
61	00771100800001080	Lock pin	1	

Slewing mechanism 0077110090000000

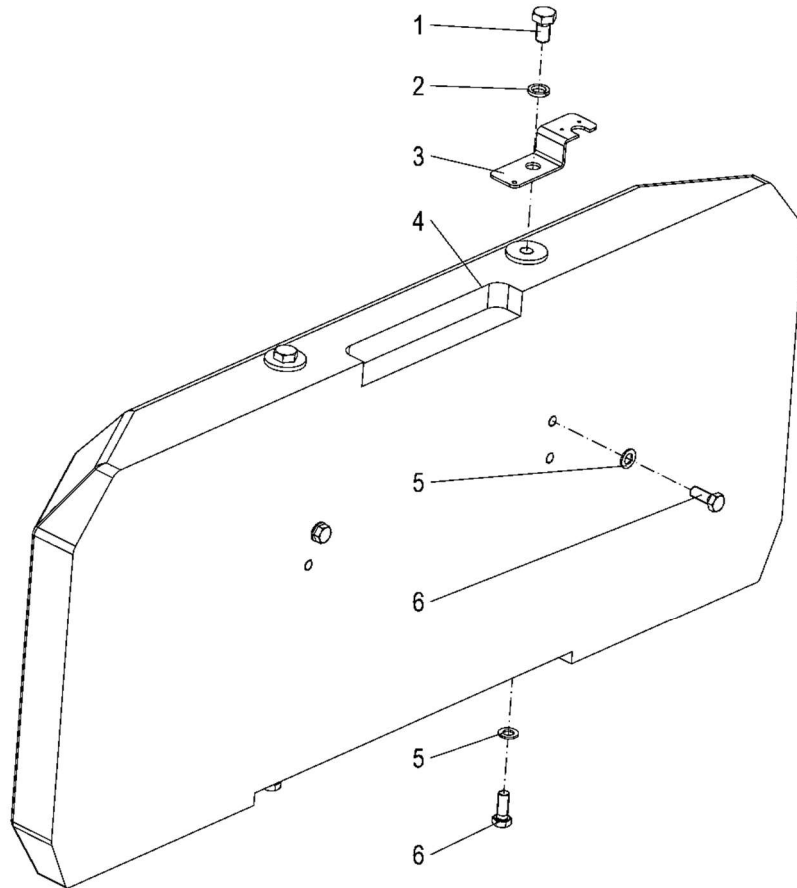


TURNABLE

Slewing mechanism 00771100900000000

NO.	Material No.	Item and Spec	Unit	Remark
1	1040004511	Bolt M12×30-8.8	2	GB/T5783-2000
2	1040302490	Washer12-200HV	2	GB/T97.1-2002
3	1010100843	Slewing motor	1	
4	1040004513	Bolt M14×40-10.9	9	GB/T5783-2000
5	1040302491	Washer14-200HV	9	GB/T97.1-2002
6	1030202187	Slewing reducer	1	
7	1040004614	Bolt M20×65-10.9	5	GB/T5782-2000
8	00771100900001020	Locating pin	1	
9	1040302502	Washer20	45	GB/T1230-1991
10	00771100900001010	Reducer connecting plate	1	
11	1040004529	Bolt M20×110-10.9	40	GB/T1228-1991
12	1031500345	Slewing bearing	1	

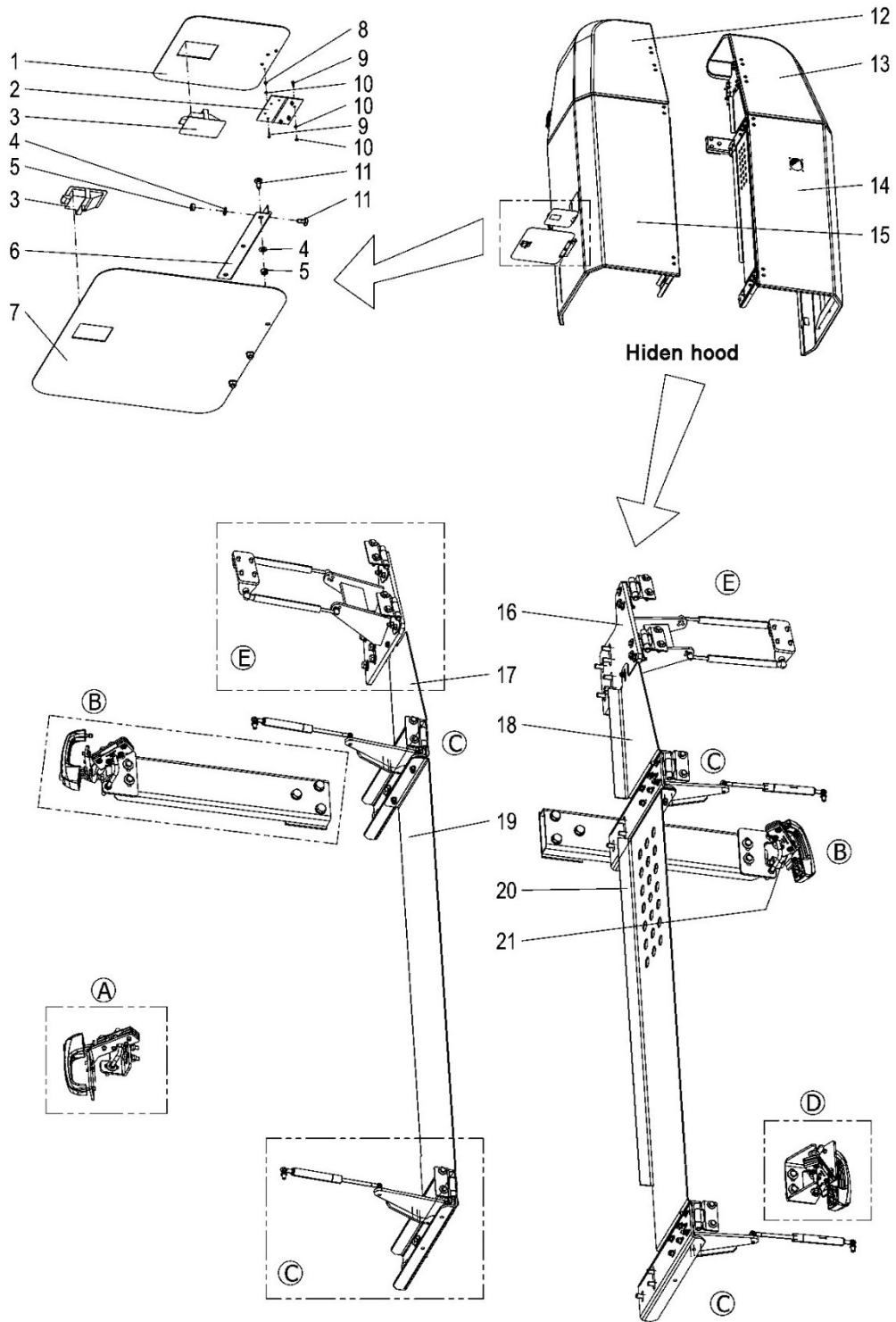
Counterweight 0077110100000000



Counterweight 0077110100000000

NO.	Material No.	Item and Spec	Unit	Remark
1	1040004500	Bolt M30×50-8.8	2	GB/T5783-2000
2	1040301808	Washer30	1	GB/T93-2000
3	00771101000001020	Alarm light support	1	
4	00771101000001010	Counterweight block	1	
5	1040301511	Washer 24-200HV	4	GB/T97.1-2002
6	1040004613	Bolt M24×60-10.9	4	GB/T5782-2000

Hood 0077110110000000



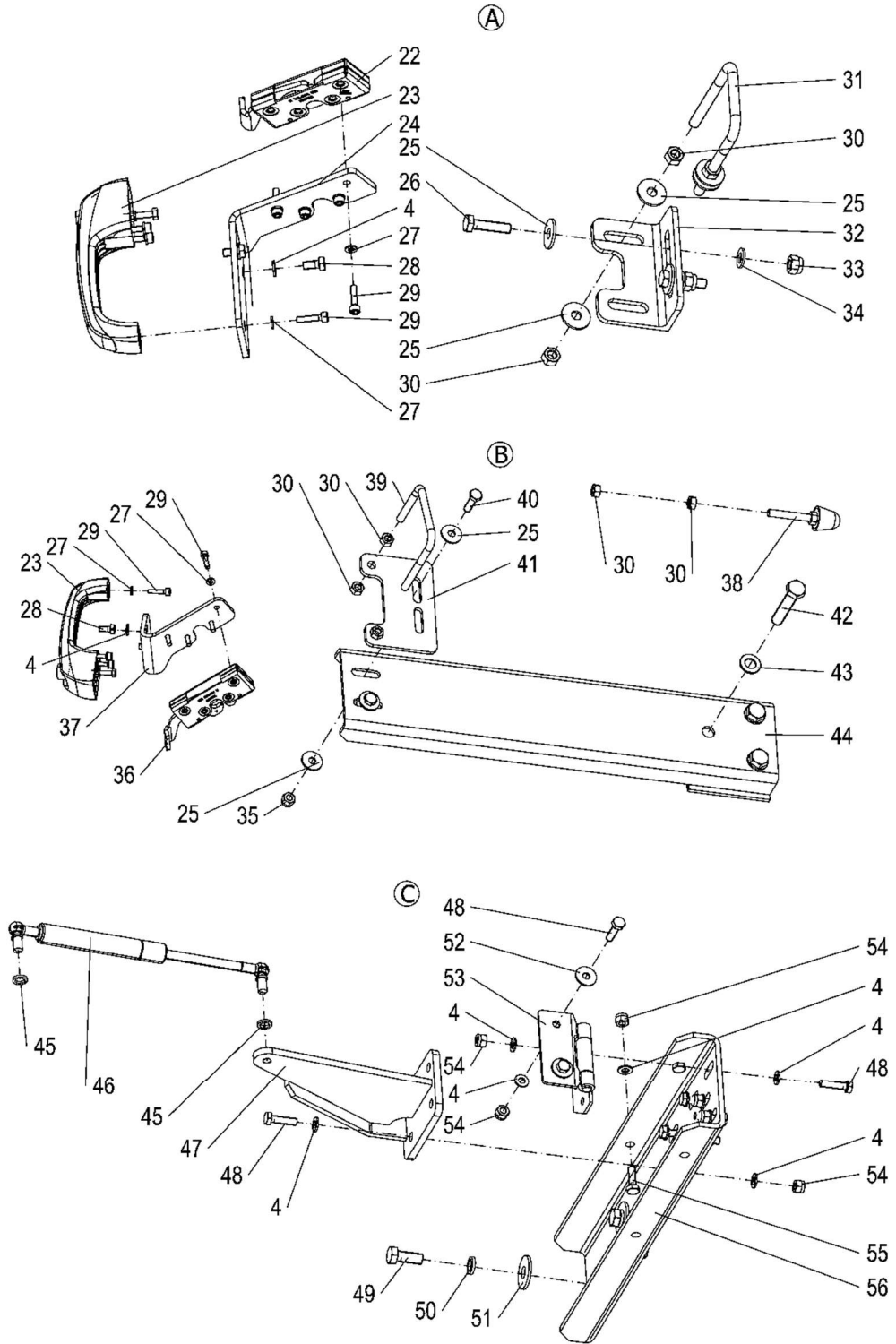
TURNTABLE

Hood 00771101100000000

NO.	Material No.	Item and Spec	Unit	Remark
1	00771101103201010	Plate	1	
2	199905631	Hinge	1	
3	1109800044	Tongue type lock	2	
4	1040301515	Washer 8-200HV	121	GB/T97.1-2002
5	1040201089	Nut M8-8	5	GB/T6170-2000
6	1101000152	Hinge	1	
7	00771101103001010	Door plate	1	
8	1040201772	Nut M4-A2-70	8	GB/T6170-2000
9	1040302410	Washer4-200HV	8	GB/T97.1-2002
10	1040103120	Screw M4×20-A2-70	8	GB/T70.1-2008
11	1040103122	Screw M8×16-4.8	5	GB/T818-2000
12	00771101100800000	Rear-right hood welds	1	
13	00771101100600000	Rear-left hood welds	1	
14	00771101100400000	Front-left hood welds	1	
15	00771101100200000	Front-right hood welds	1	
16	00771101101200000	Rear-left hood support	1	
17	00771101100001010	Right side close plate I	1	
18	00771101100001110	Left side close plate I	1	
19	00771101100001100	Right side close plate II	1	
20	00771101100001030	Left side close plate II	1	
21	00771101100001080	Key cylinder mounting plate	1	

Hood 0077110110000000

TURNTABLE

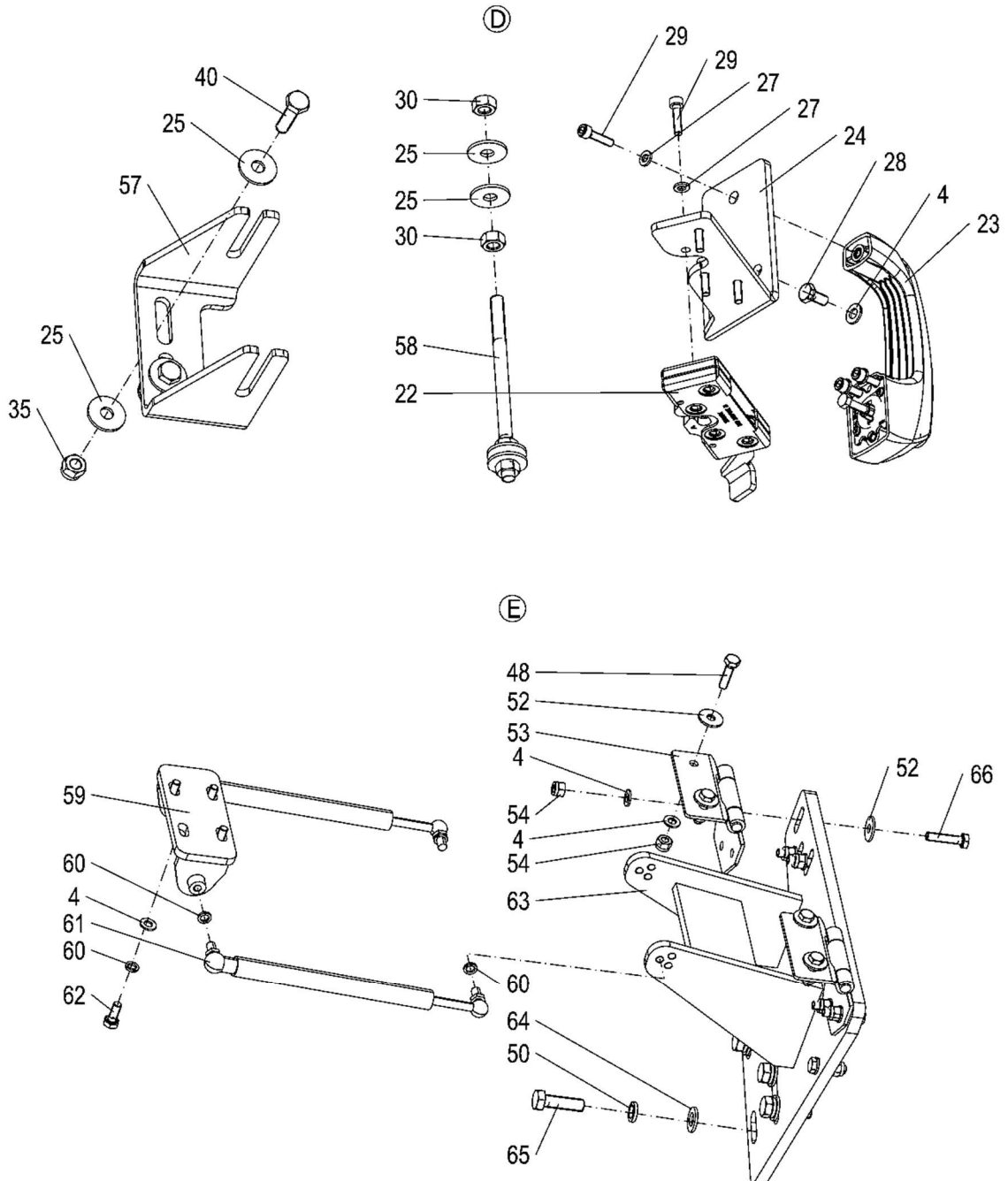


Hood 00771101100000000

NO.	Material No.	Item and Spec	Unit	Remark
22	1109900765	Door lock	3	
23	1100700163	Door knob	4	
24	00771101100001050	Key cylinder mounting plate	2	
25	1040302512	Washer10-200HV	22	GB/T96.1-2002
26	1040002463	Bolt M10×40-8.8	2	GB/T5782-2000
27	1040300771	Washer6-200HV	28	GB/T97.1-2002
28	1040004517	Bolt M8×16-8.8	8	GB/T5783-2000
29	1040100105	Screw M6×25-8.8	28	GB/T70.1-2000
30	1040200113	Nut M10-8	22	GB/T6170-2000
31	00771101101801010	Round steel	1	
32	00771101101801020	Plate	1	
33	1040200504	Nut M10-8	2	GB/T889.1-2000
34	1040302489	Washer10-200HV	2	GB/T97.1-2002
35	1040201875	Nut M10-8	6	GB/T889.1-2000
36	1109900766	Door lock	3	
37	00771101100001020	Key cylinder mounting plate	1	
38	1040004678	Door knob bolt M10×70	2	
39	00771101102001020	Round steel	2	
40	1040002435	Bolt M10×35-8.8	6	GB/T5783-2000
41	00771101102001010	Right rear lock seat plate	2	
42	1040002450	Bolt M16×80-8.8	6	GB/T5783-2000
43	1040302492	Washer16-200HV	6	GB/T97.1-2002
44	00771101102800000	Rear lock seat support	2	
45	1040301502	Washer10	8	GB/T93-1987
46	1110100317	Gas spring	4	
47	00771101102400000	Front gas spring support	4	
48	1040004520	Bolt M8×30-8.8	46	GB/T5783-2000
49	1040004511	Bolt M12×30-8.8	12	GB/T5783-2000
50	1040301503	Washer12	24	GB/T93-1987
51	1040301031	Washer12-300HV	12	GB/T96.1-2002
52	1040302480	Washer8-200HV	28	GB/T96.1-2002
53	1101000089	Hinge	8	
54	1040200503	Nut M8-8	70	GB/T889.1-2000
55	1040004519	Bolt M8×25-8.8	12	GB/T5783-2000
56	00771101100001040	Front hood support	4	

Hood 0077110110000000

TURNABLE



Hood 0077110110000000

NO.	Material No.	Item and Spec	Unit	Remark
57	00771101101601010	Lock seat plate	1	
58	00771101101601020	Round steel	1	
59	00771101102600000	Rear gas spring support	2	
60	1040301510	Washer8	16	GB/T93-1987
61	1110100301	Gas spring	4	
62	1040004518	Bolt M8×20-8.8	8	GB/T5783-2000
63	00771101101000000	Right rear hood Support	1	
64	1040302490	Washer12-200HV	12	GB/T97.1-2002
65	1040002439	Bolt M12×40-8.8	12	GB/T5783-2000
66	1040004619	Bolt M8×35-8.8	12	GB/T5783-2000